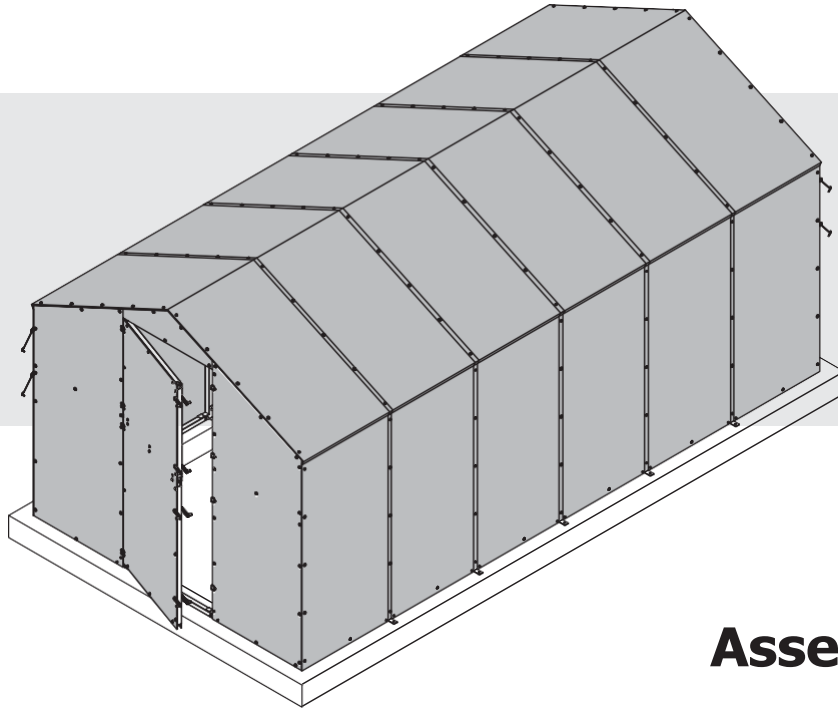


Polycarbonate greenhouse

Premium Tomato polycarbonate 210x405



Scan to see the assembly video

Assembly manual

We are grateful that you have decided to purchase Greenhouse. We believe that it will help you in growing your flowers and vegetables and that you will be satisfied a lot. We did our best so that the design and modern technical solutions are helpful in the cultivation and so that the assembly is simple and easy.



max 60 km/h

WARNING!

In strong windy weather, it is necessary to close all the door and window openings and secure them so that the wind cannot open them. During gusty winds, thunderstorms, hailstorms, rains and other adverse atmospheric conditions, it is forbidden to stay in the greenhouse. During high insolation, high temperatures may be reached; therefore, all the works in the hotbeds must be carried out early in the morning or in the evening with the doors opened on both sides of the greenhouse. It is forbidden to close oneself inside the structure.

The greenhouse is not a toy; therefore, children may stay there only when attended by adults.



max 30 kg/m²

CAUTION!

In winter, it is necessary to pay particular attention to the structure so that wet and heavy snow is not deposited on it – it may damage the greenhouse. If it is not possible to control the level of snow, it is required to dismantle the cover of the side walls, front and roof for the winter period. The structure may be left for the winter period.

It is forbidden to enter the greenhouse from which snow is not removed – snow deposits may deform the structure and lead to the collapse of the roof or door, and prevent exiting the hotbed. Greenhouse roof must be desnowed regularly. If the greenhouse is not used in winter, it is necessary to secure the door in order to prevent the access of unauthorised personnel and children.

Safe use rules:

1. The greenhouse is dedicated only to plant growing.
2. Mount the greenhouse to the foundation with the indicated mounting holders included in the set.
3. Mount the structure in the place not exposed to strong wind blows; avoid slopes and open spaces. Greenhouse wind resistance: 60 km/h.
4. Do not assemble the greenhouse in strong winds and in other adverse weather conditions.
5. Keep children away from the assembly site because the set includes small elements and foil bags which may lead to choking or suffocating.
6. Check the stability of the greenhouse regularly, especially after storm winds or heavy snowfalls. If you notice any damage, replace a damaged element or disassemble the structure.
7. Use assembly tools specified in the manual and wear protective gloves and glasses during the greenhouse assembly and maintenance.
8. Avoid using mowers and mechanical scythes near the structure.
9. Do not keep hot objects, especially hot barbecue equipment, etc. in the greenhouse.
10. Remove snow, branches and leaves regularly from the greenhouse roof in order to prevent its damage, what in consequence may be dangerous to greenhouse users.
Max. greenhouse roof load: 30 kg/m².
11. Do not climb the structure roof.
12. Do not leave children unattended in the greenhouse because the door may close and prevent children from exiting the structure.
13. Do not use open flame in or near the structure.
14. Do not load roof panels additionally (with the exception of tied-up plants).
15. The greenhouse cannot be used in the public space.

FOLLOW THE OHS RULES



Wear protective gloves during the assembly



Wear protective glasses during the assembly



Provide help from the assistant during the assembly



The temperature in the greenhouse is high



Perform assembly on days which are not windy



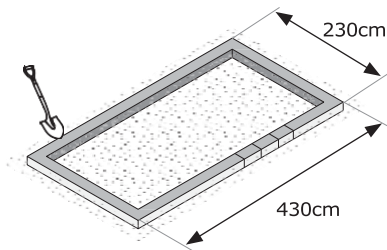
It is prohibited to have the structure assembled by drunk and intoxicated personnel

Ground

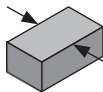
THE STRUCTURE MUST BE FASTENED TO THE GROUND PERMANENTLY. OTHERWISE, IT WILL BE CAUGHT BY THE WIND AND IT MAY CAUSE INJURIES!

GROUND TYPE:

Concrete blocks



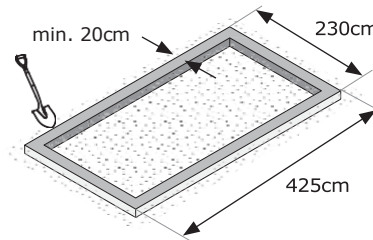
standard concrete block 24x12x38
weight approx. 22-25kg



! Pay attention so that the greenhouse mounting is not located at the blocks connection.

The blocks should be dug completely into the ground and laid on a cement mortar (connected with each other) to form a dense solid with the length and width provided in the drawing. Fill the joints with the cement mortar.

Concrete foundation



Location

Do not assemble the greenhouse on open spaces, on slopes and in locations particularly exposed to wind blows – this will extend the service life of the hotbed significantly and make the use of polycarbonate greenhouse satisfactory for a longer period of time.

The correct mounting of the greenhouse to the ground will protect the product against being caught by the wind.




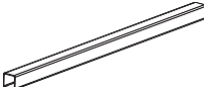
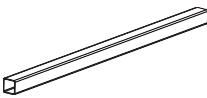
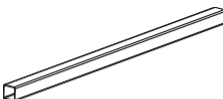
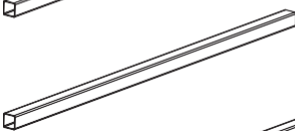


Manufacturer is not held responsible for:

- the incorrect use of the greenhouse and destruction as a result of extreme weather conditions (hailstorm, storm winds, snow). The ground must be even and levelled.
- damage due to the greenhouse being caught by the wind (it applies to product damage and damage caused by the greenhouse).

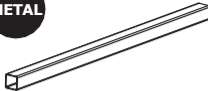
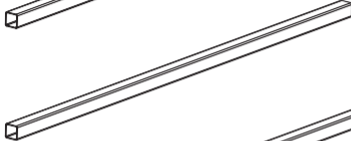

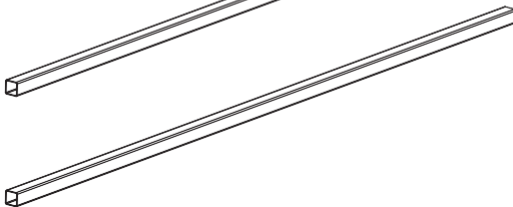
The user is responsible for the reliable assembly of the product and its secure fastening to the ground.

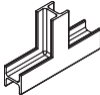
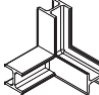
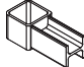







List of elements

PVC

-  **x4 - 600mm**
P-03
-  **x12 - 635mm**
P-08
-  **x26 - 640mm**
P-01
-  **x4 - 700mm**
P-05
-  **x4 - 925mm**
P-02
-  **x10 - 1115mm**
P-04
-  **x10 - 1360mm**
P-09

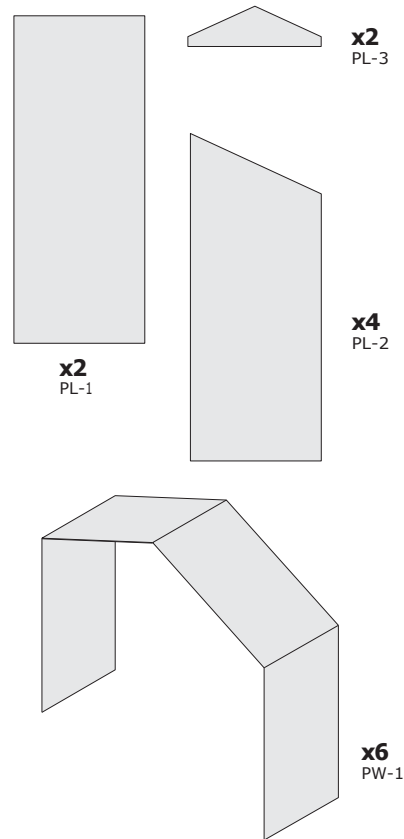
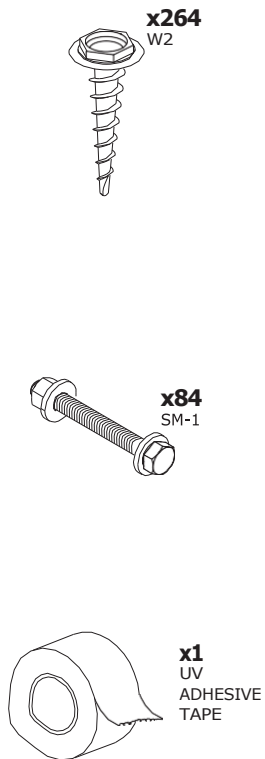
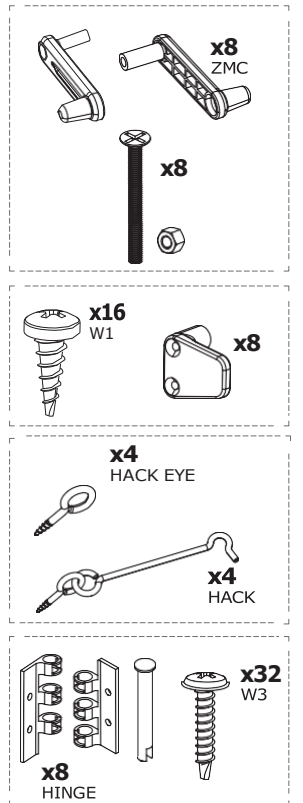
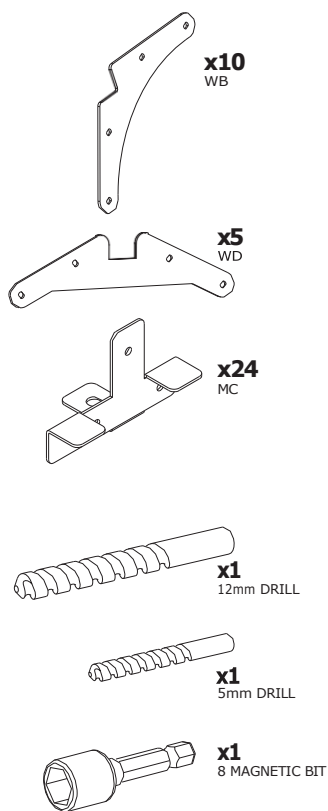
METAL

-  **x8 - 640mm**
S-01
-  **x4 - 1115mm**
S-04
-  **x4 - 1360mm**
S-09
-  **x4 - 1660mm**
S-02

-
-  **x14**
Z-05
 -  **x4**
Z-01
 -  **x8**
Z-11D
 -  **x10**
Z-08
 -  **x2**
Z-07
 -  **x4**
Z-11
 -  **x2**
Z-09
 -  **x5**
Z-10
 -  **x2**
Z-06
 -  **x16**
Z-03

CHECK WHETHER THE PACKAGING INCLUDES ALL THE ELEMENTS.
We recommend elements sorting before their assembly. This will facilitate assembly works.

List of elements

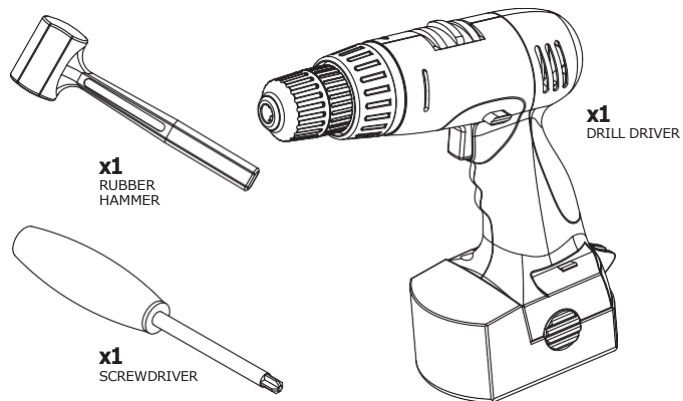
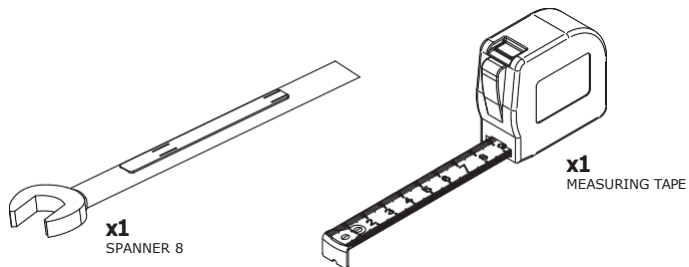


CHECK WHETHER THE PACKAGING INCLUDES ALL THE ELEMENTS.
We recommend elements sorting before their assembly. This will facilitate assembly works.

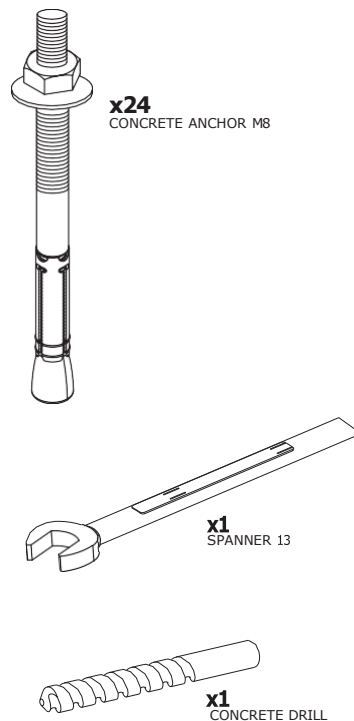
Tools and components not included



The DIY assembly greenhouse lacks some tools. Provide necessary tools before starting work.

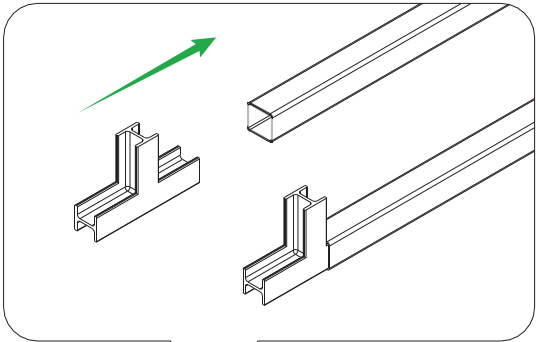
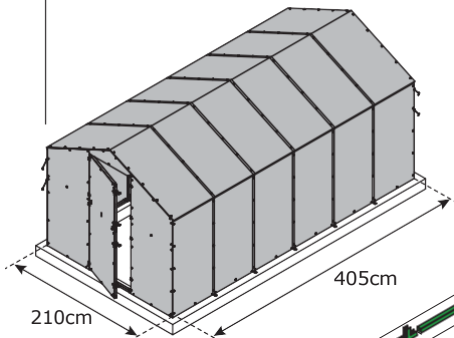


In order to fasten the greenhouse securely to the concrete ground prepared earlier, use concrete anchors and proper tools.



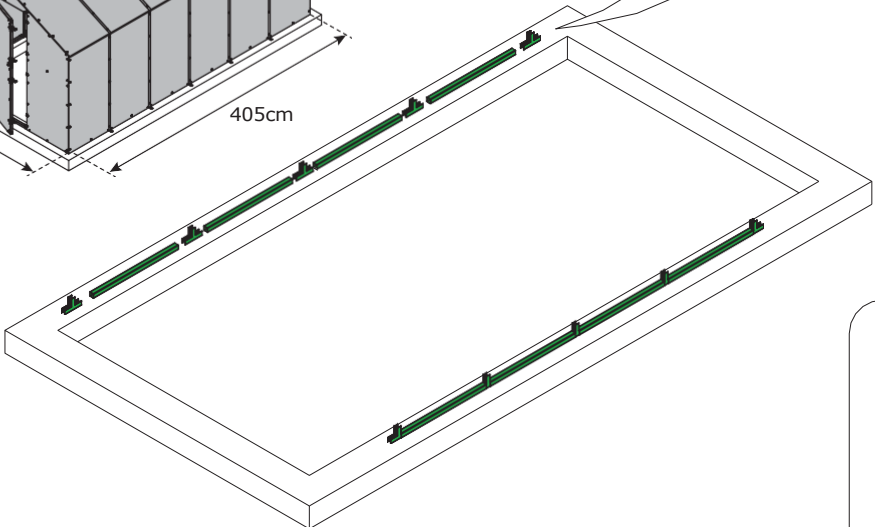
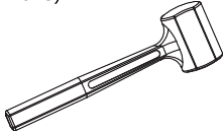
1

Side wall height = 142cm
Peak height = 191cm
Door clearance = 70x166cm



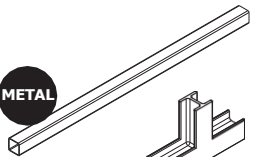
I

Hammer in the profiles with a rubber hammer (not a steel one)

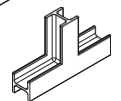


elements

METAL

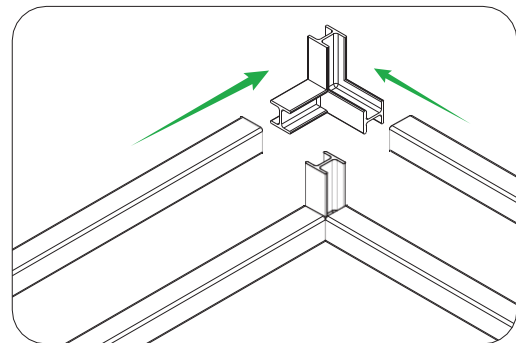
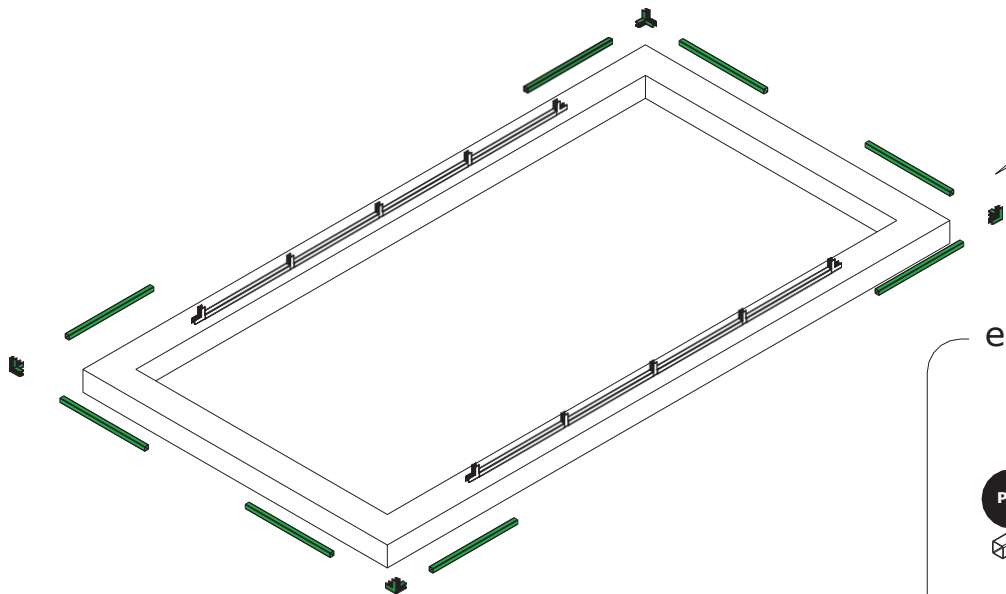


x8 - 640mm
S-01



x10
Z-05

2



elements

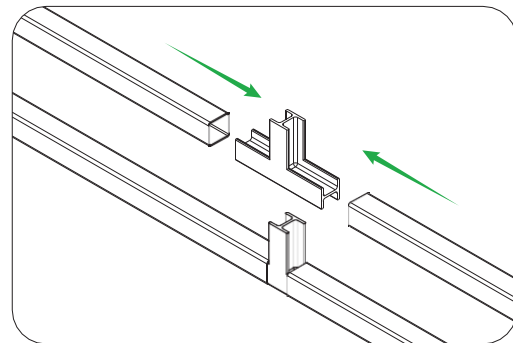
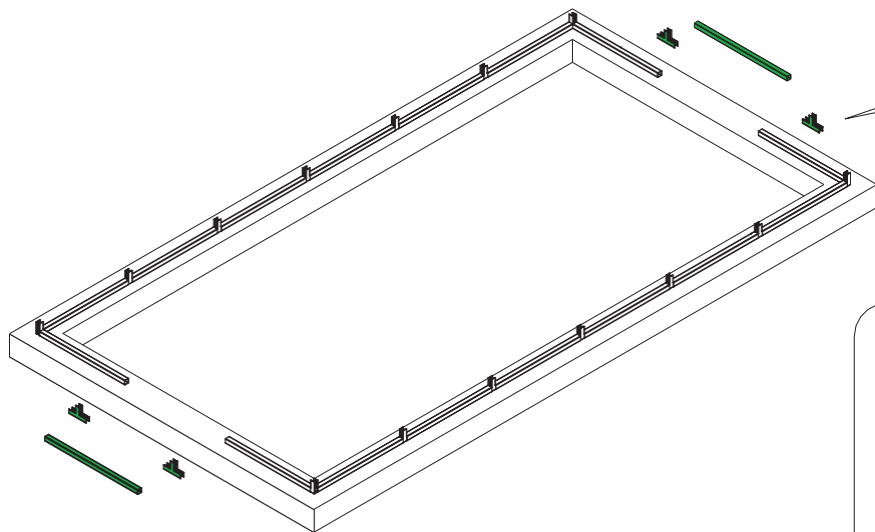
PVC

x8 - 640mm
P-01



x4
Z-01

3



elements

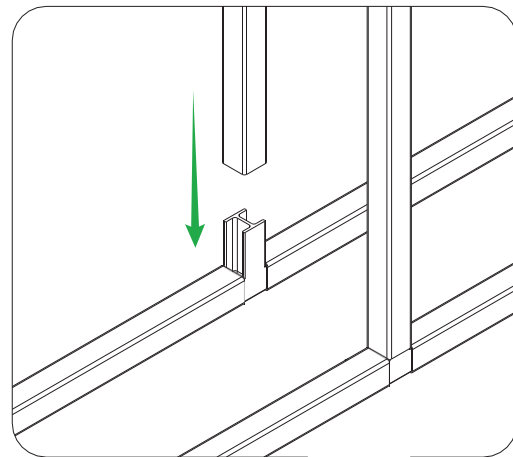
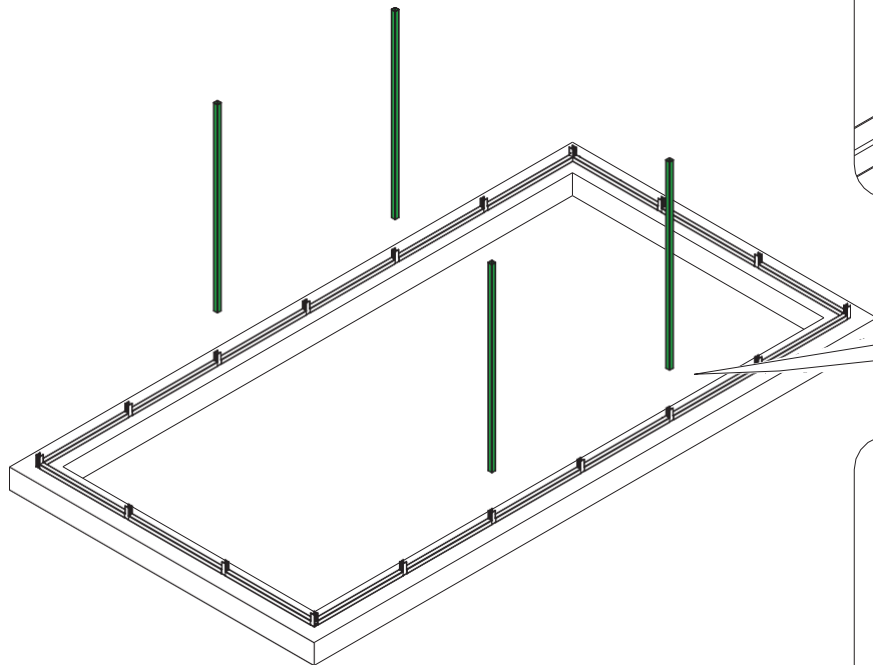
PVC



x2 - 700mm
P-05

x4
Z-05

4



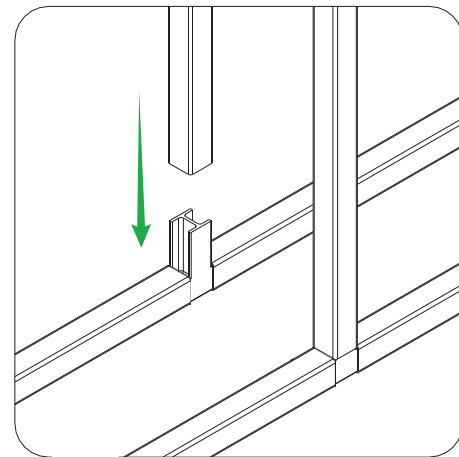
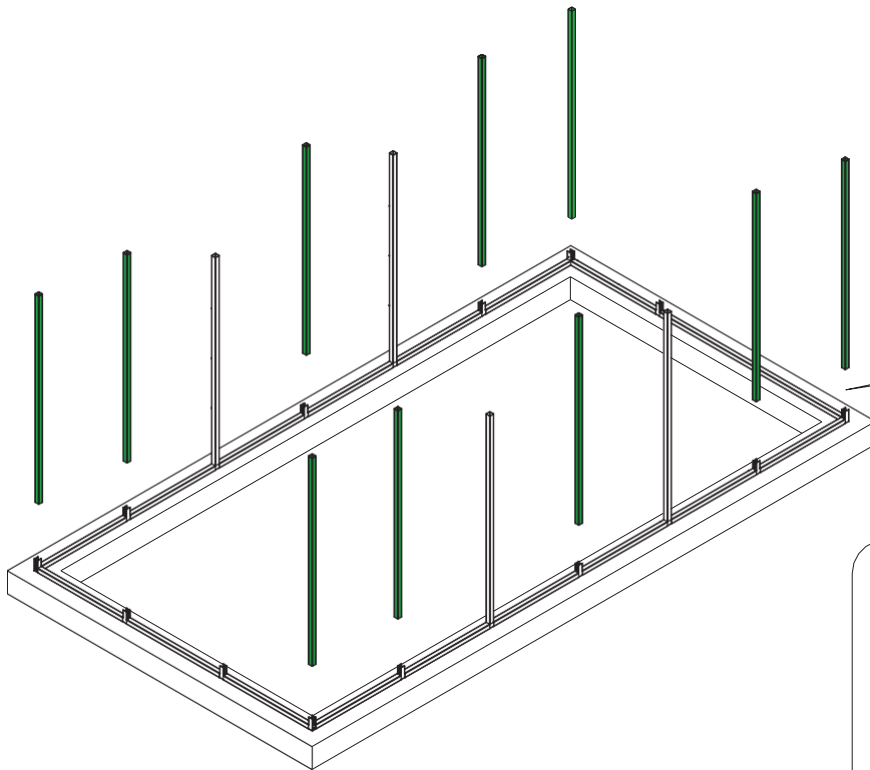
elements

METAL



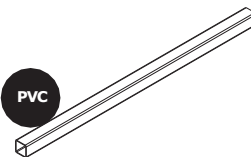
x4 - 1360mm
S-09

5



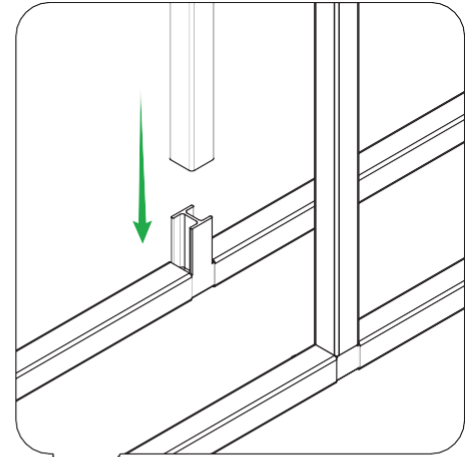
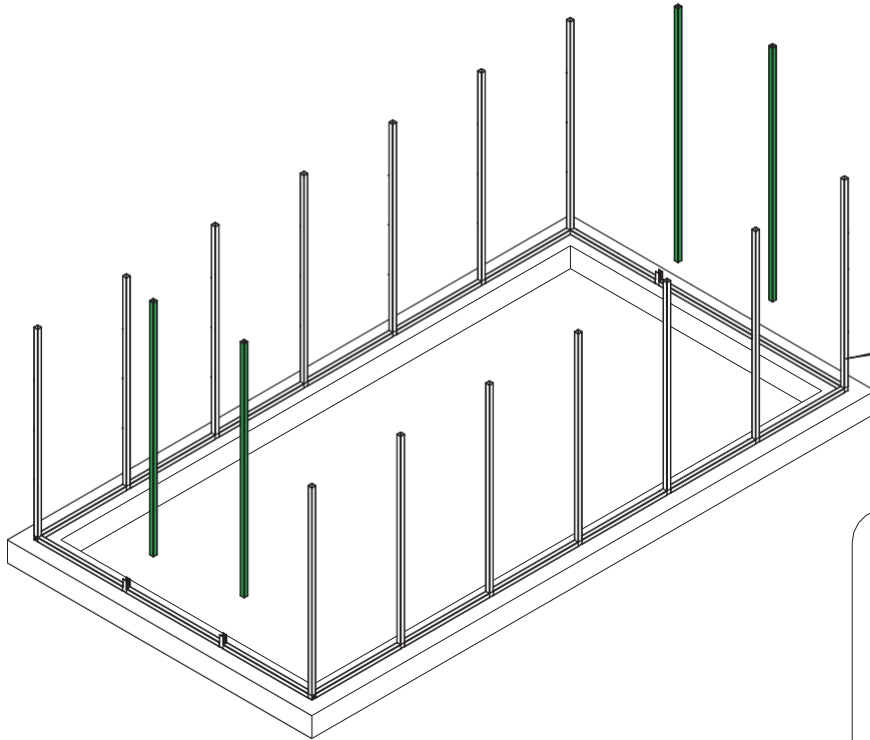
elements

PVC



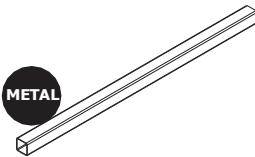
x10 - 1360mm
P-09

6



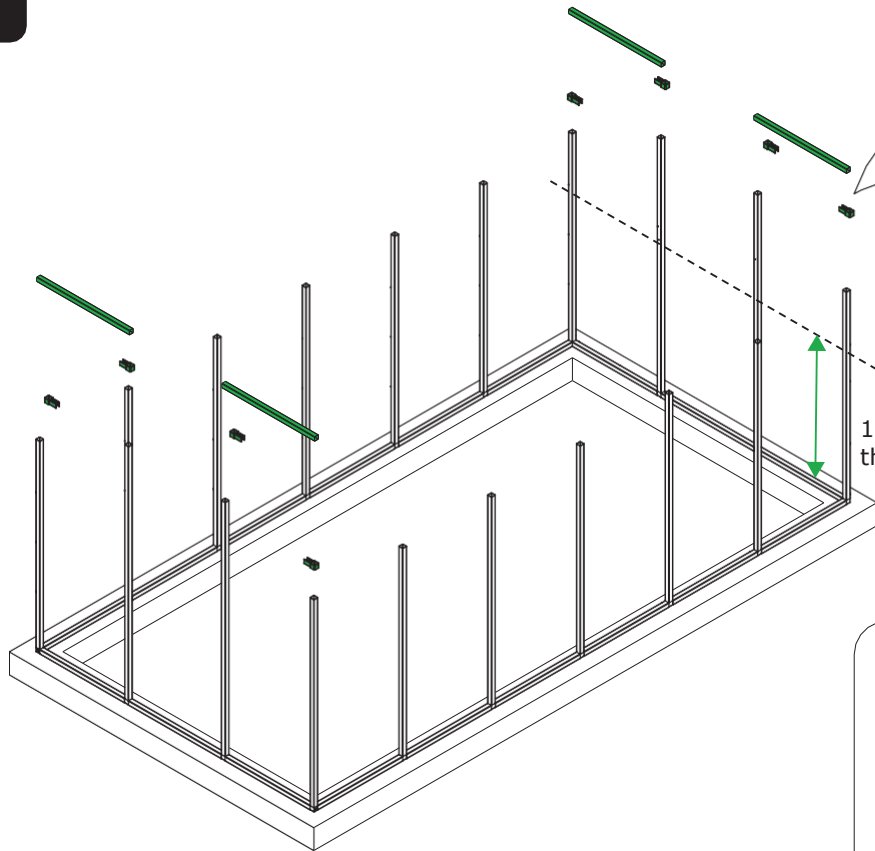
elements

METAL

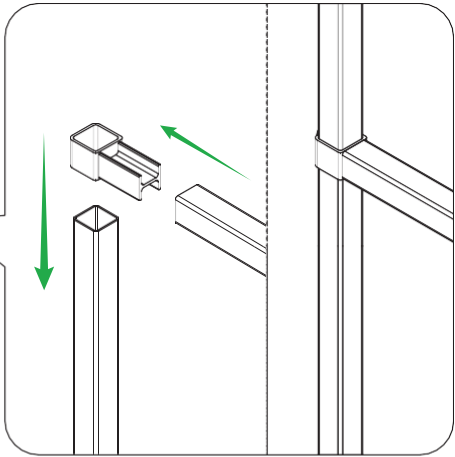


x4 - 1660mm
S-02

7



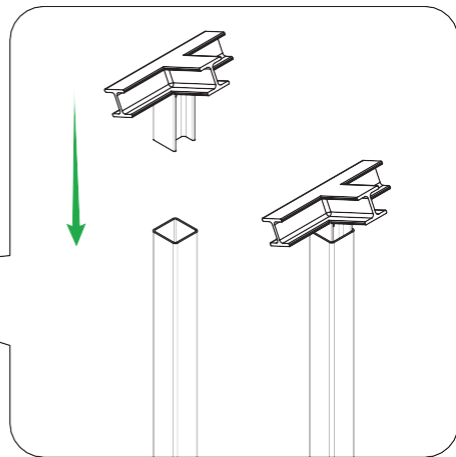
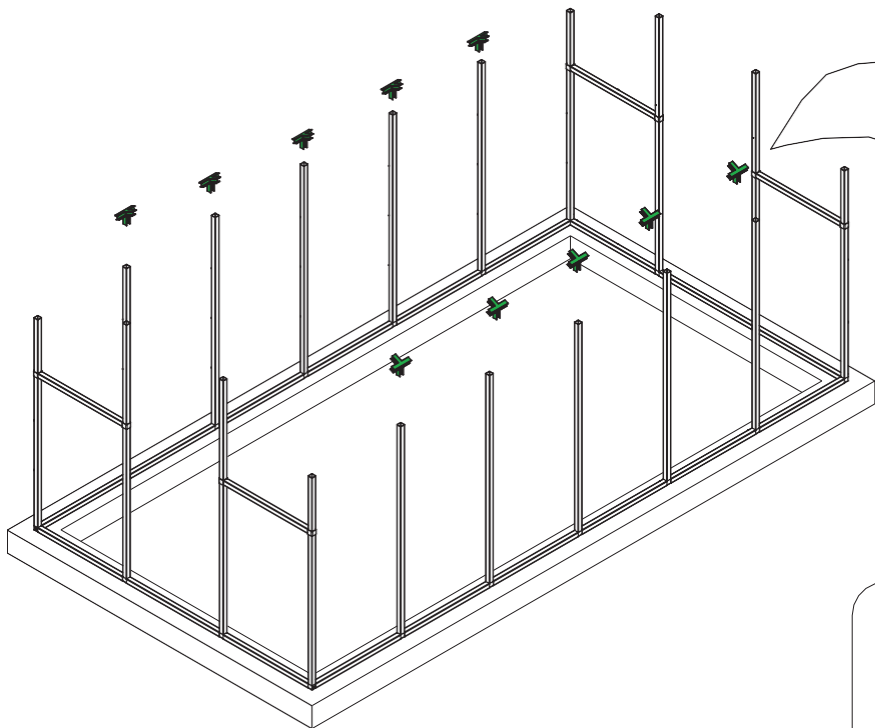
1025mm from the ground to the profile centre



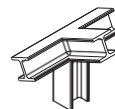
elements

- x4 - 635mm P-08**
 - x8 Z-11D**
- PVC
-

8

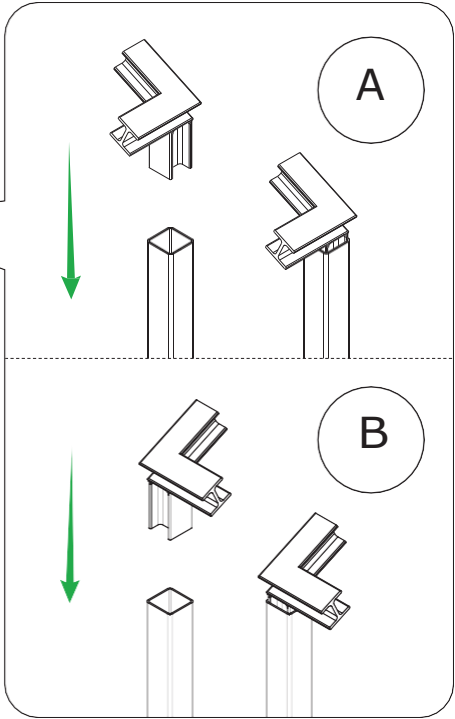
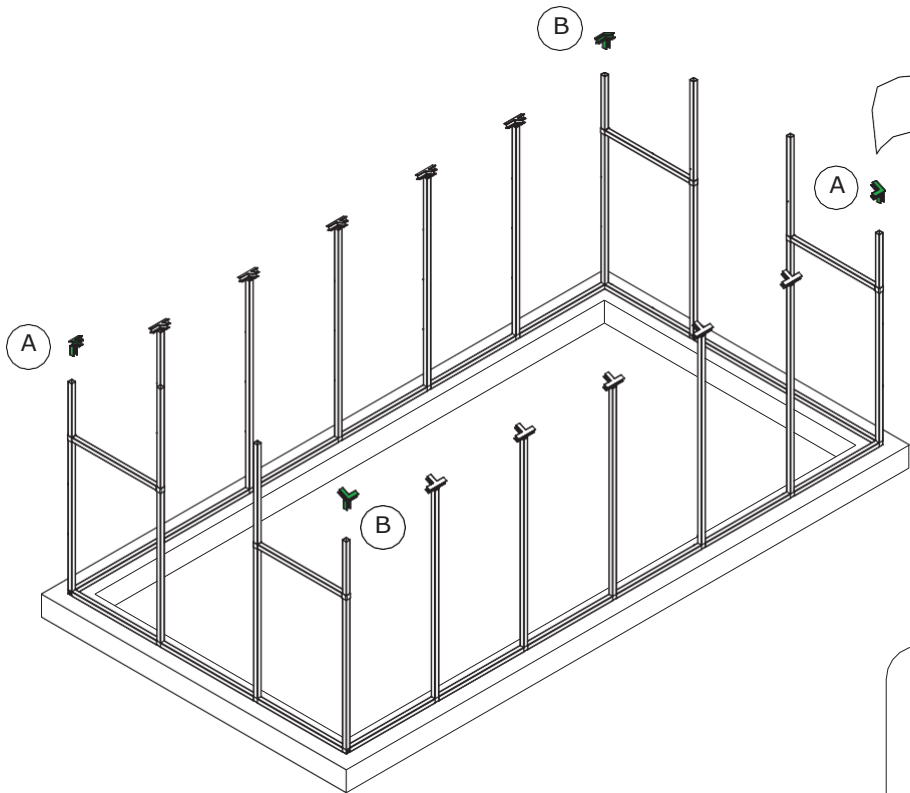


elements



x10
Z-08

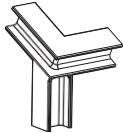
9



elements

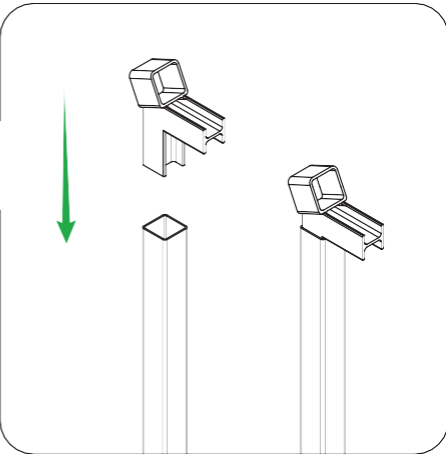
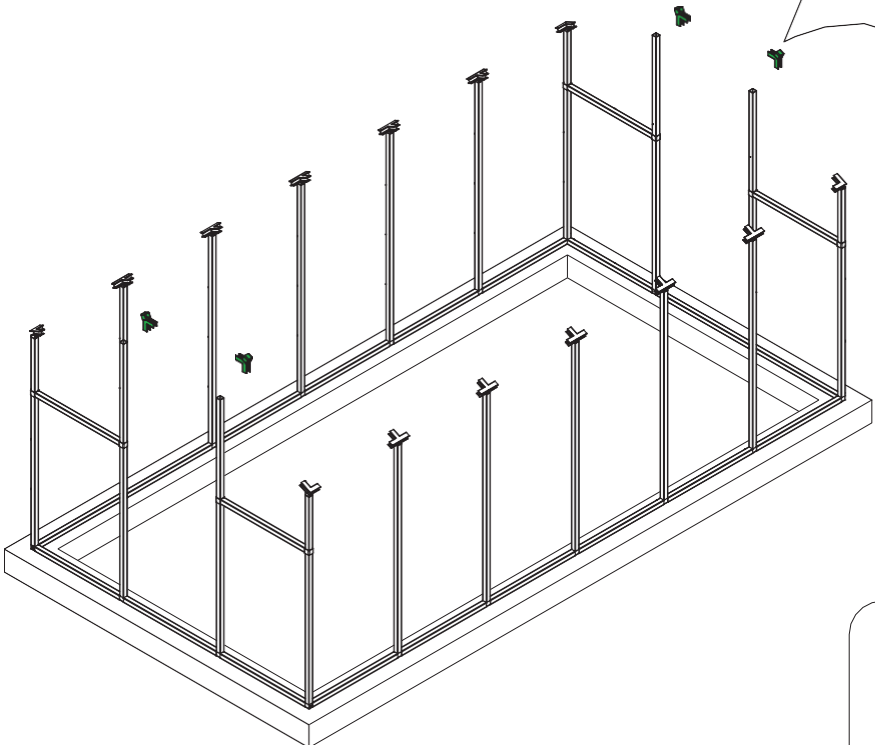


x2
Z-06

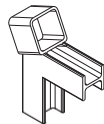


x2
Z-07

10

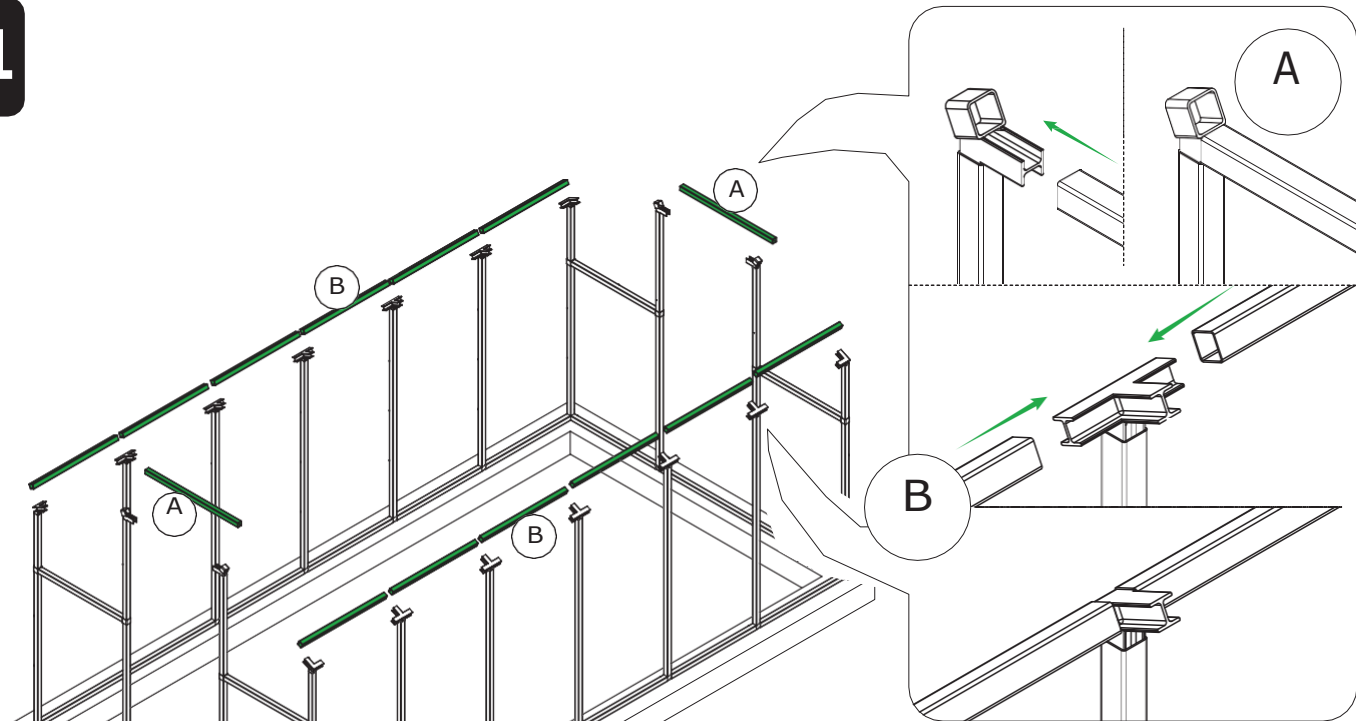


elements

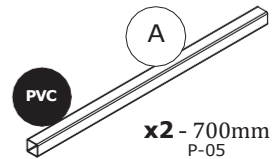
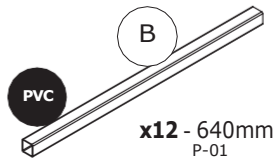


x4

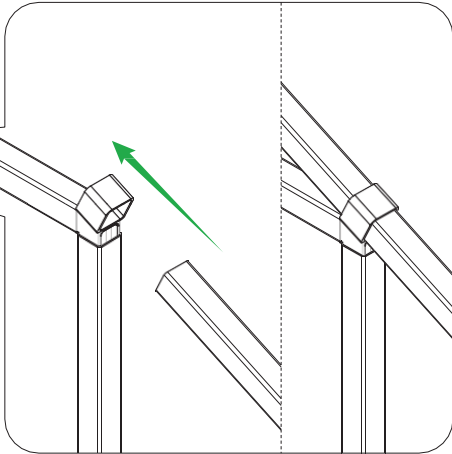
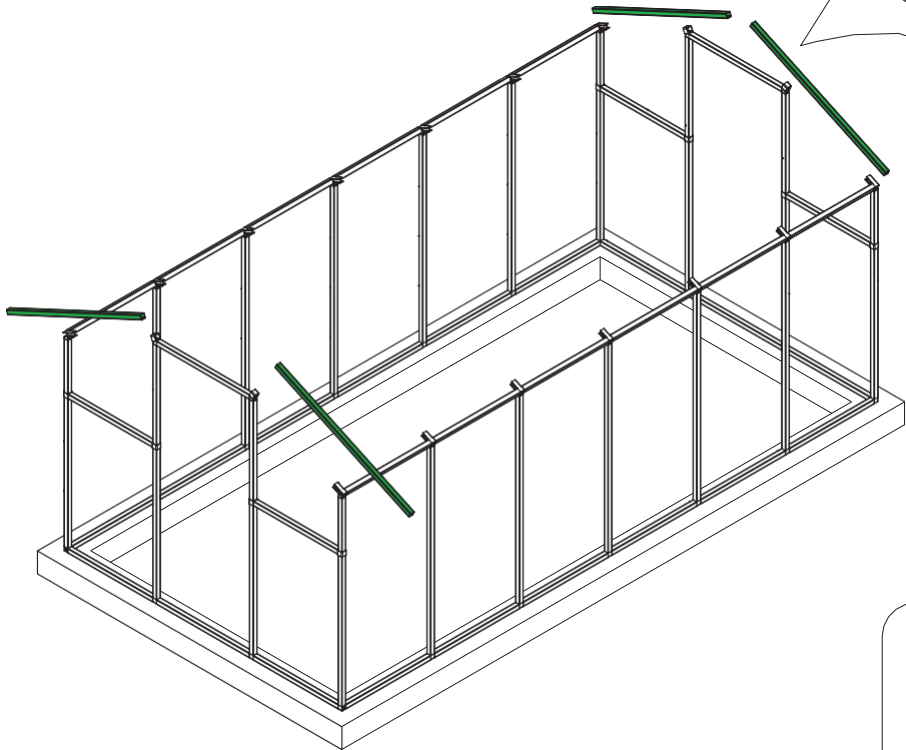
Z-11



elements



12

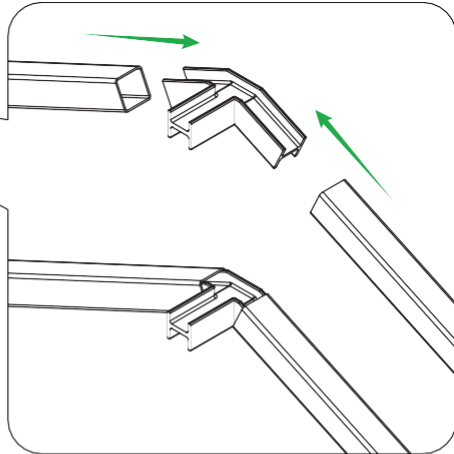
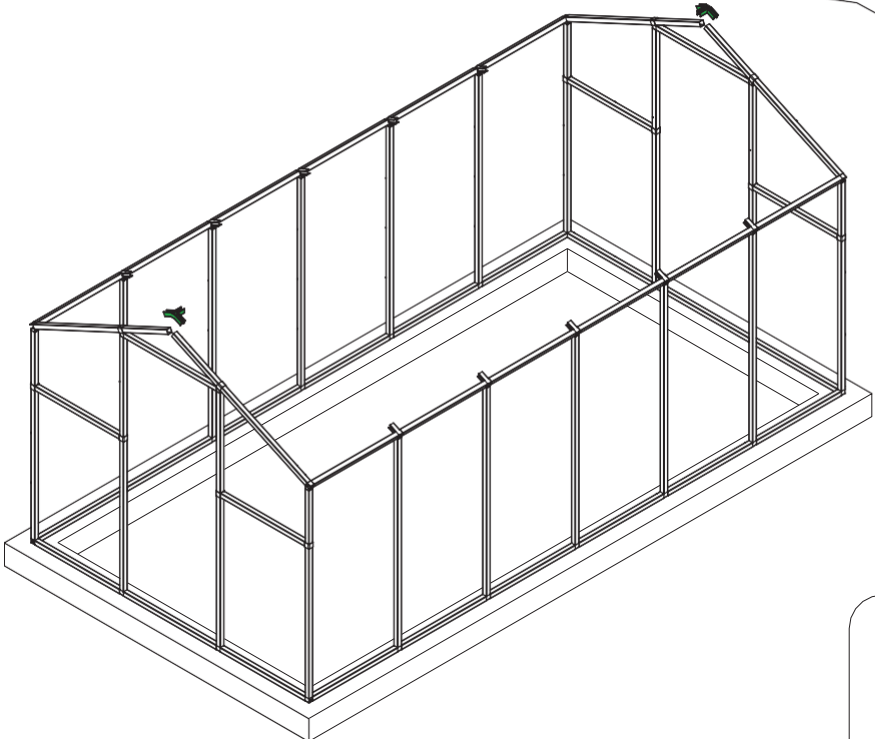


elements

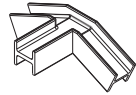
PVC

x4 - 1115mm
P-04

13

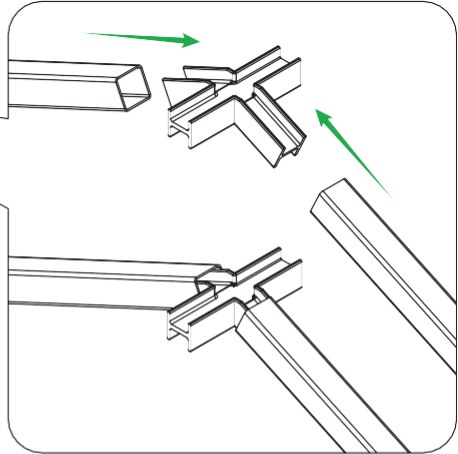
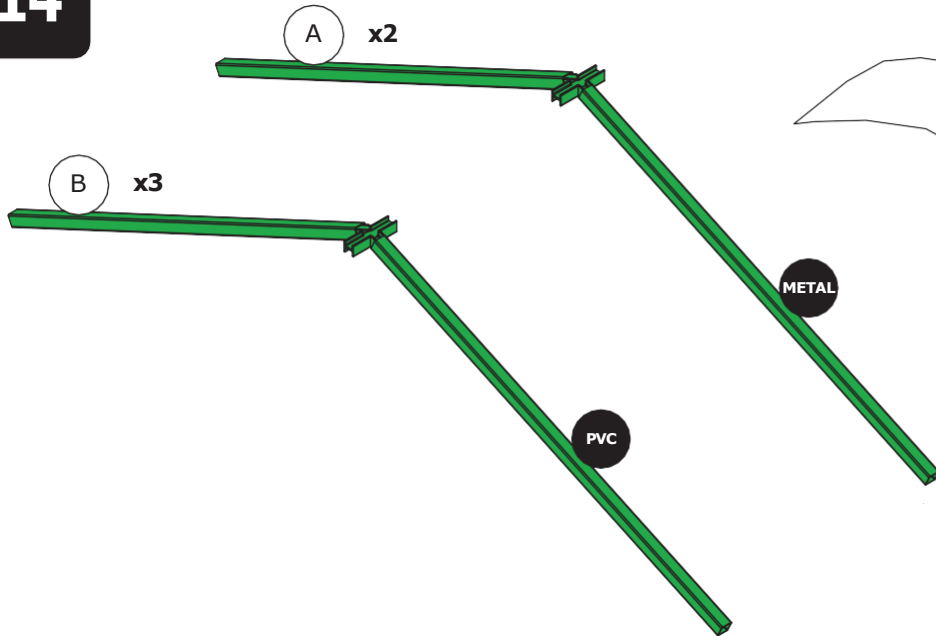


elements

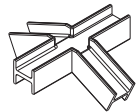


x2
Z-09

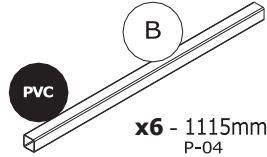
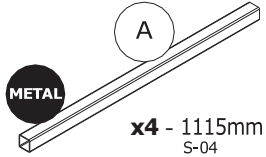
14



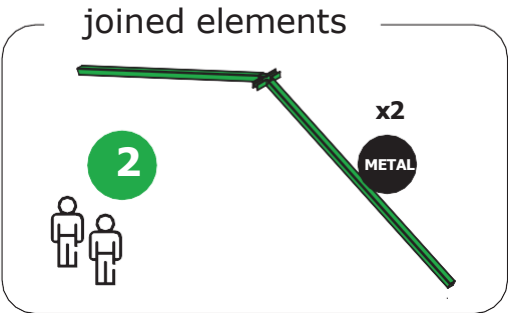
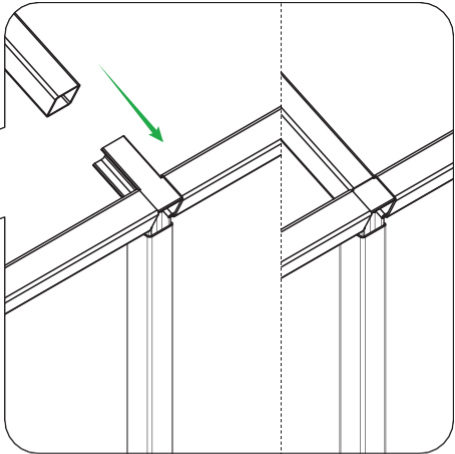
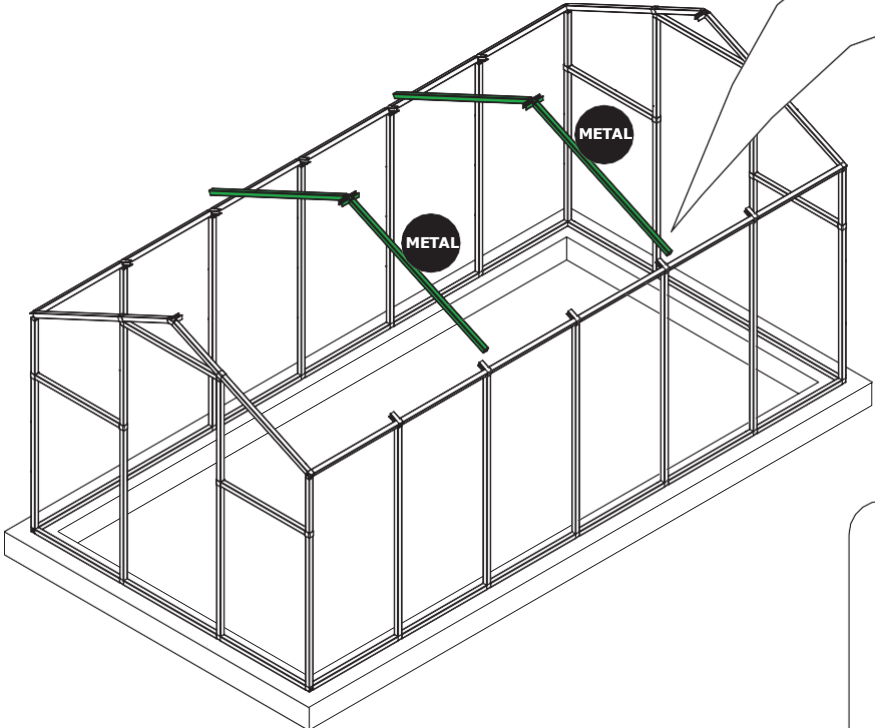
elements

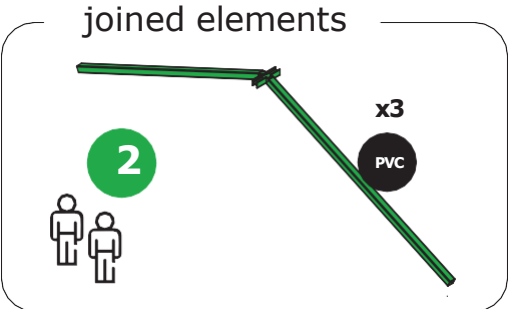
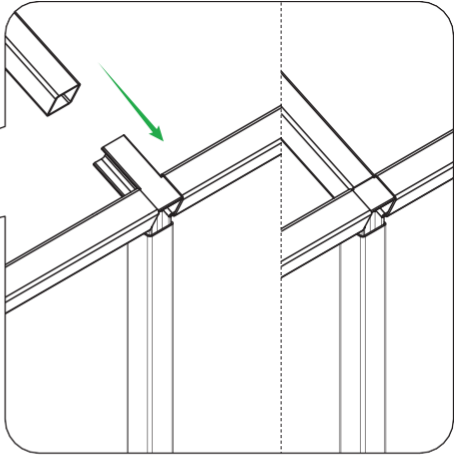
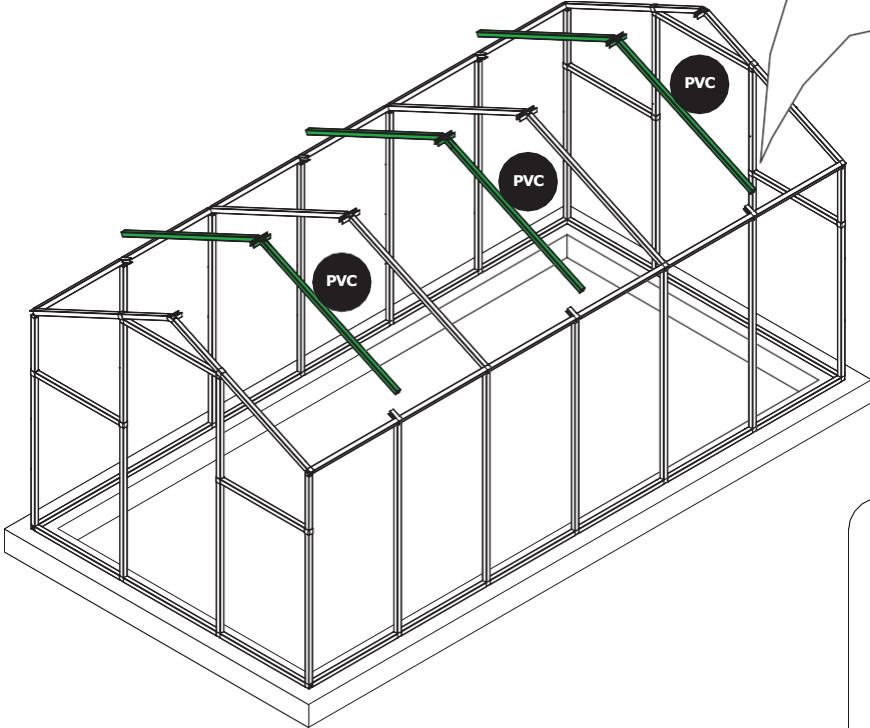


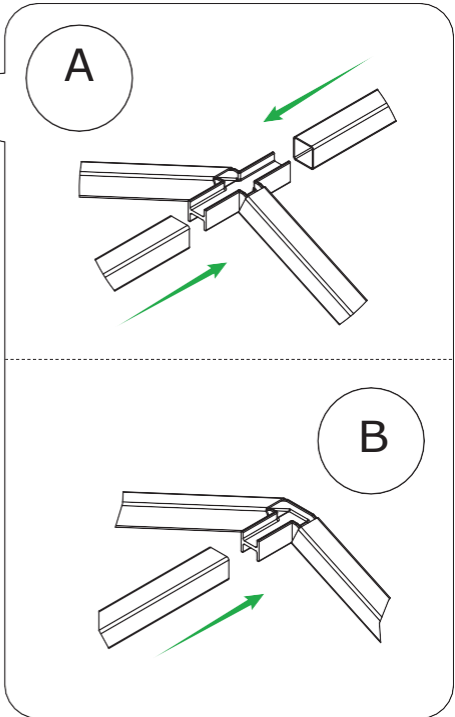
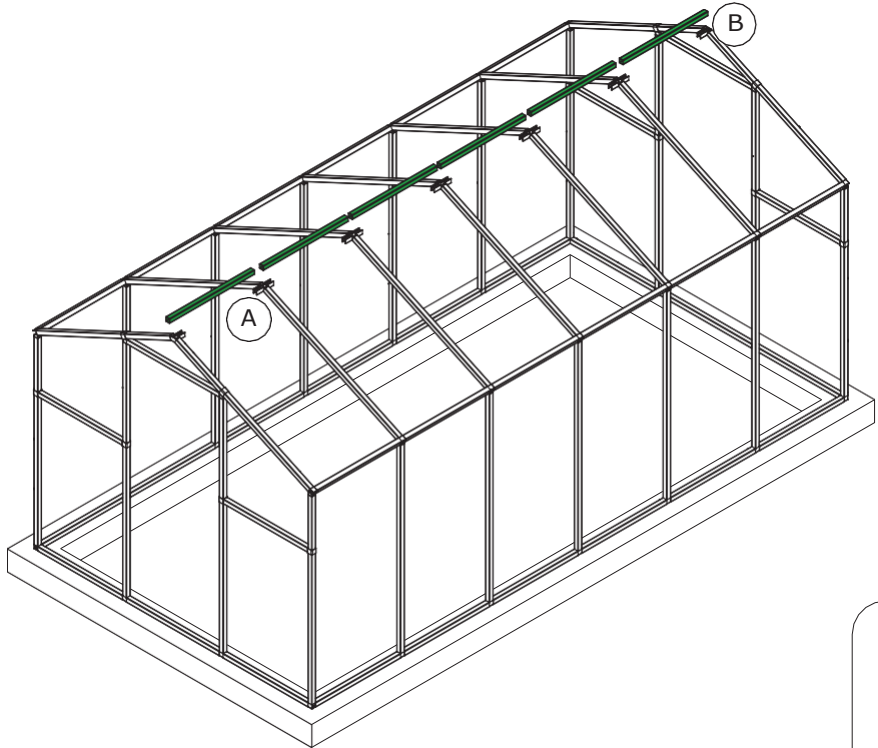
x5
Z-10



15



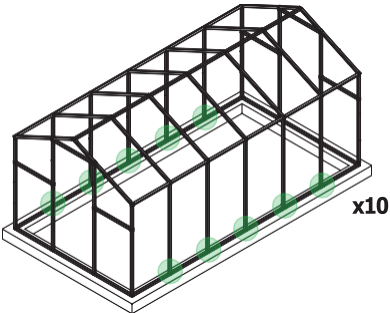
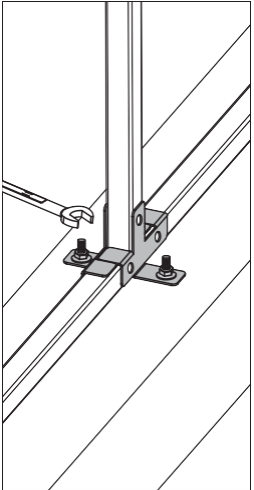
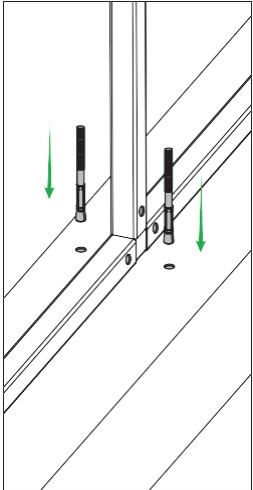
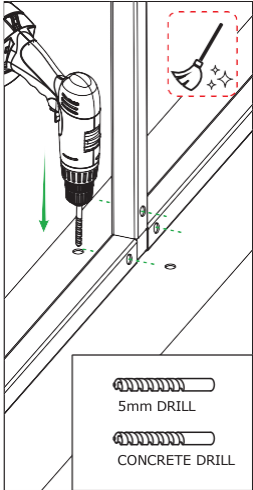
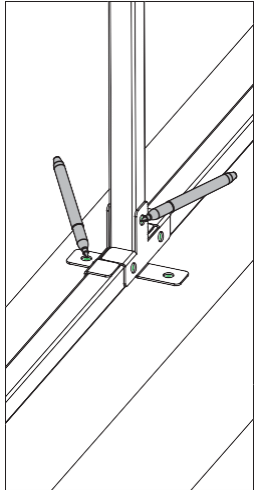
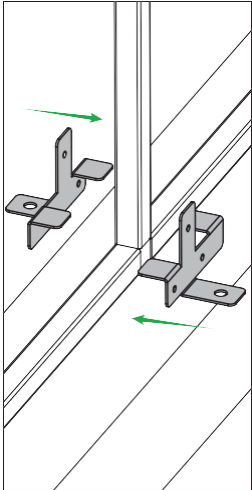
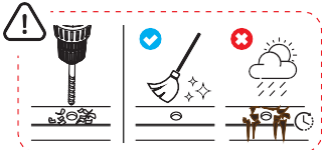




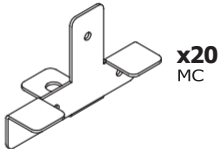
elements

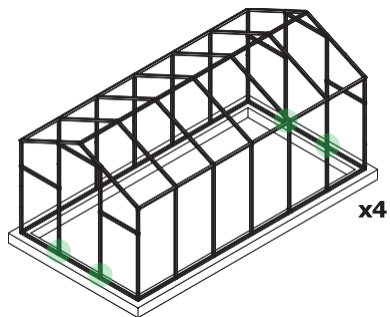
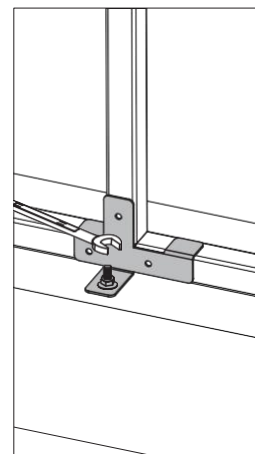
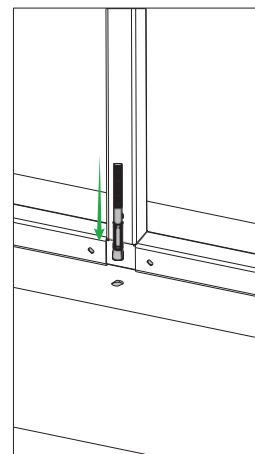
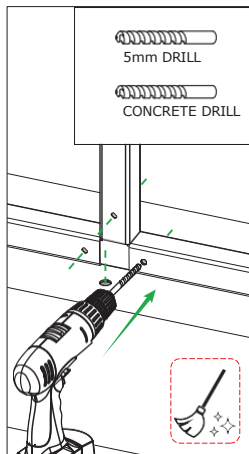
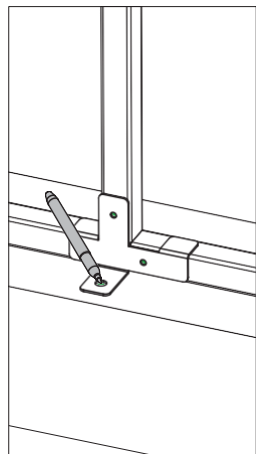
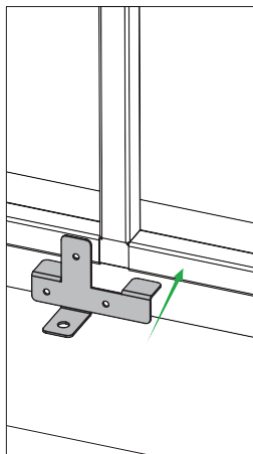
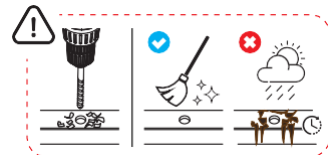
PVC

x6 - 640mm
P-01

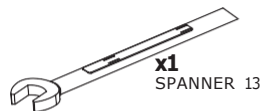


elements





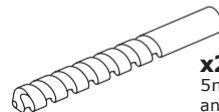
elements



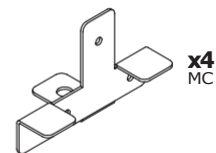
x1
SPANNER 13



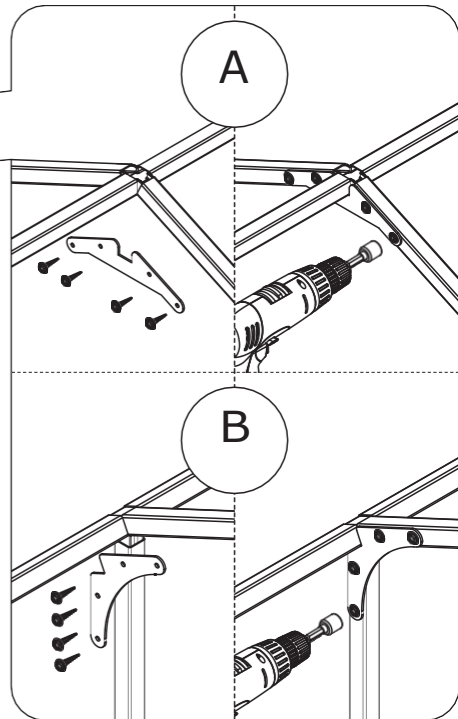
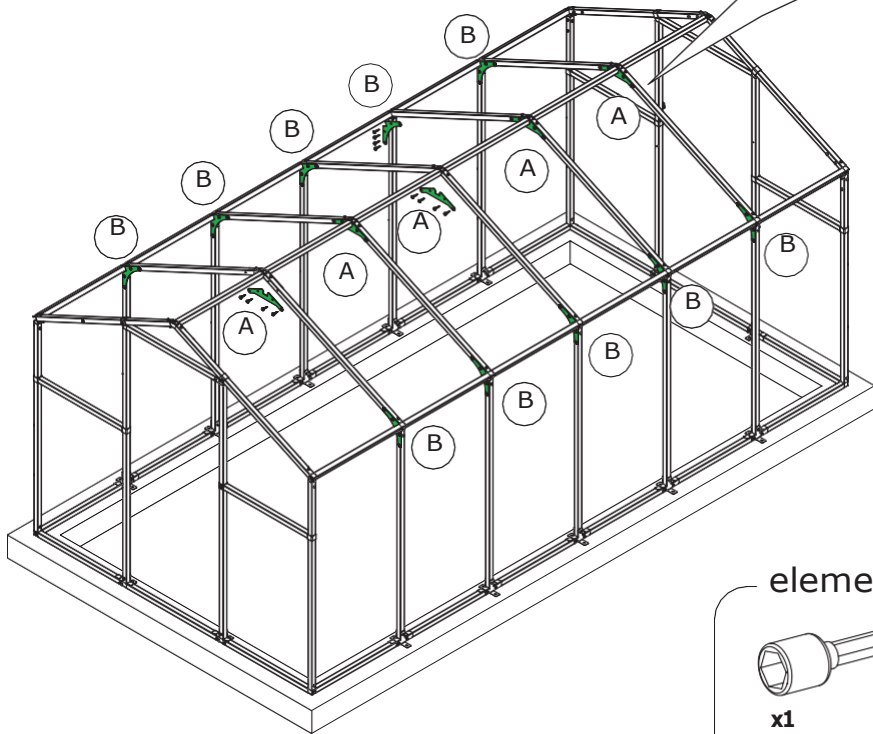
x4
CONCRETE
ANCHOR M8



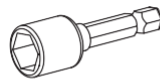
x2
5mm DRILL
and CONCRETE DRILL



x4
MC



elements



x1
8 MAGNETIC BIT



x60
W2

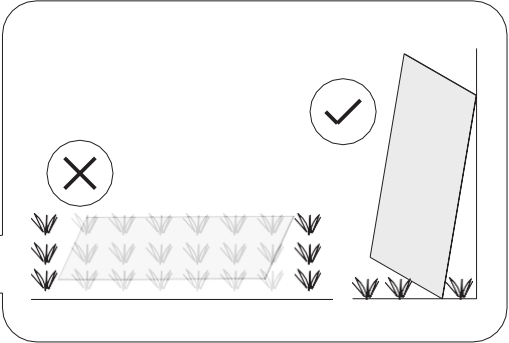
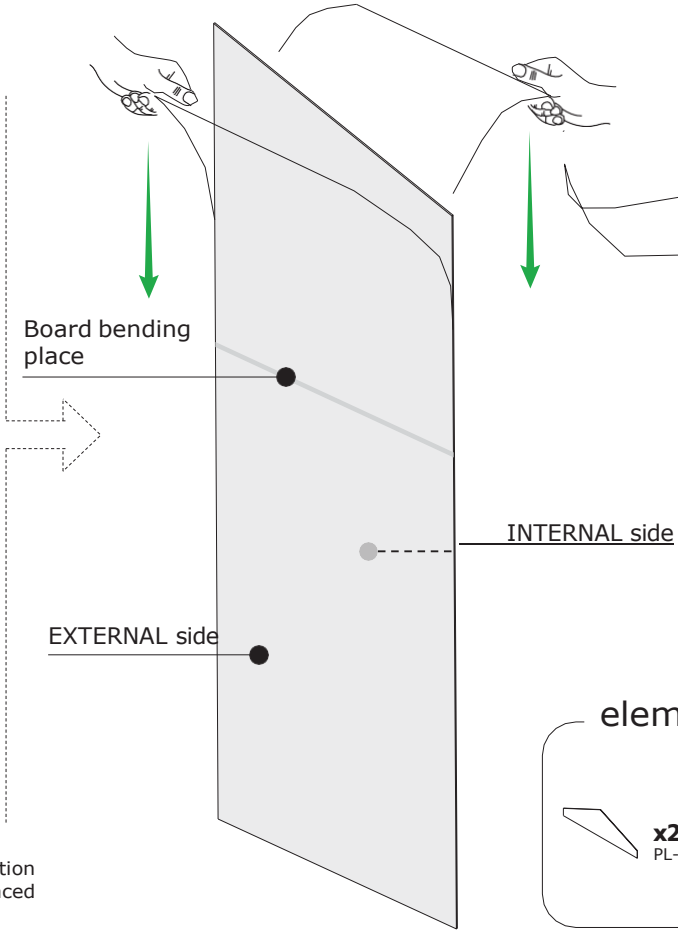
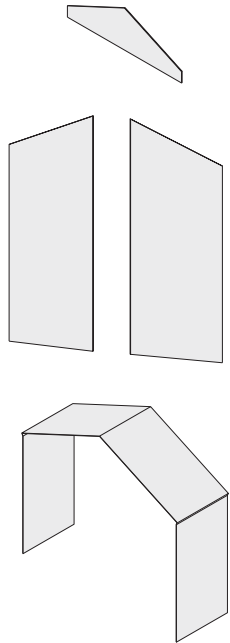


x5
WD



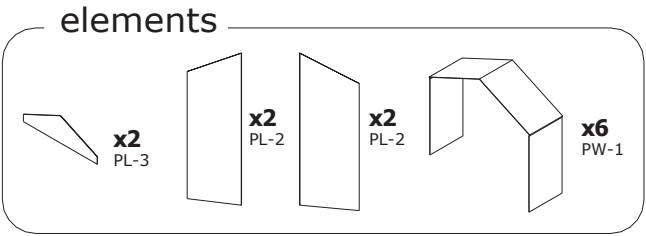
x10
WB

22

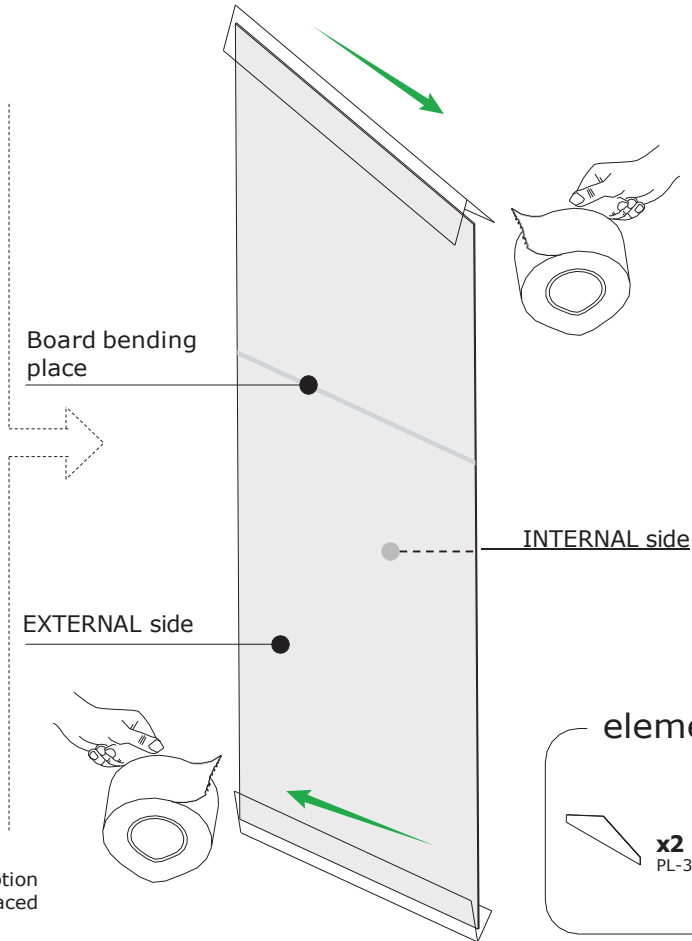
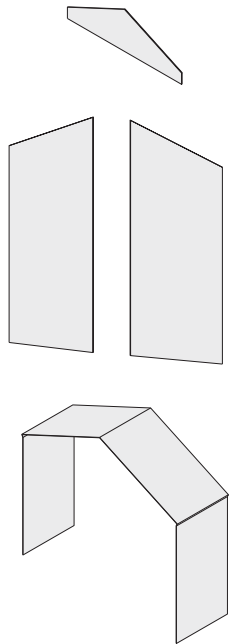


CAUTION
UV PROTECTIVE COAT ON THE SIDE
MARKED WITH AN OVERPRINTED TAPE.
MOUNT WITH THIS SIDE OUTSIDE!

I Read the description
on the sticker placed
on the foil



23



All the boards must be coated with UV tape



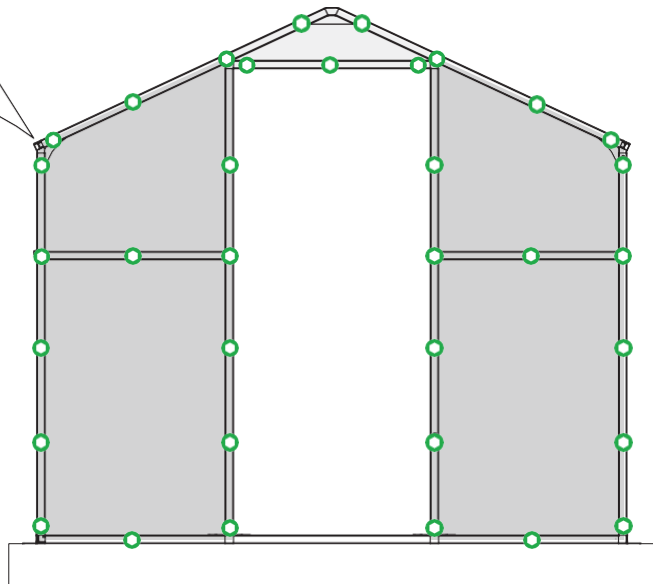
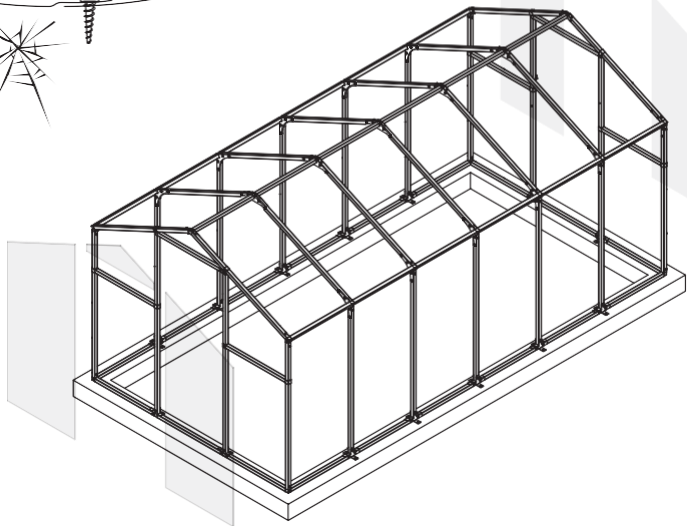
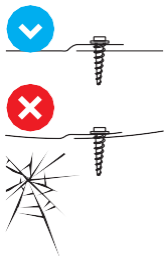
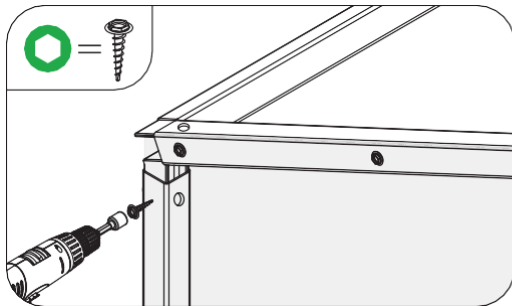
Read the description on the sticker placed on the foil

elements

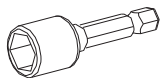
Inventory of components for the assembly. It includes:

- x2 PL-3: A trapezoidal top piece.
- x2 PL-2: Two vertical rectangular panels.
- x2 PL-2: Two vertical rectangular panels.
- x6 PW-1: Six U-shaped channel pieces.
- x1 UV ADHESIVE TAPE: A roll of tape.

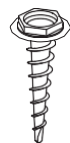
24



elements



x1
8 MAGNETIC BIT



x70
W2



x2
PL-3

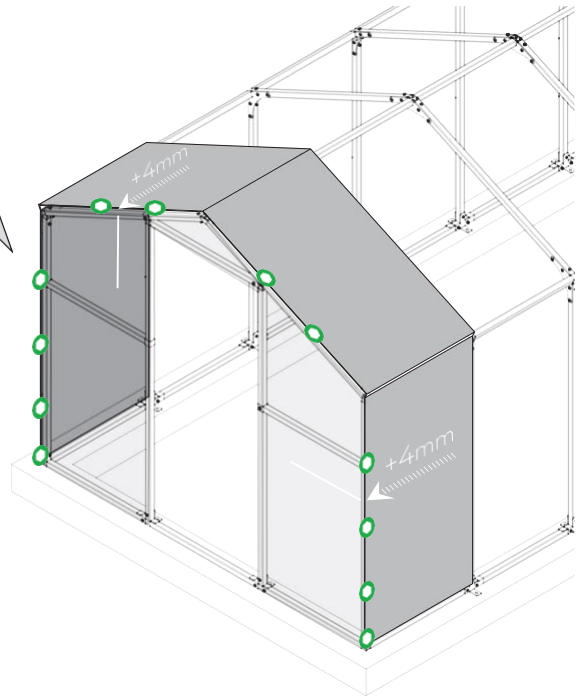
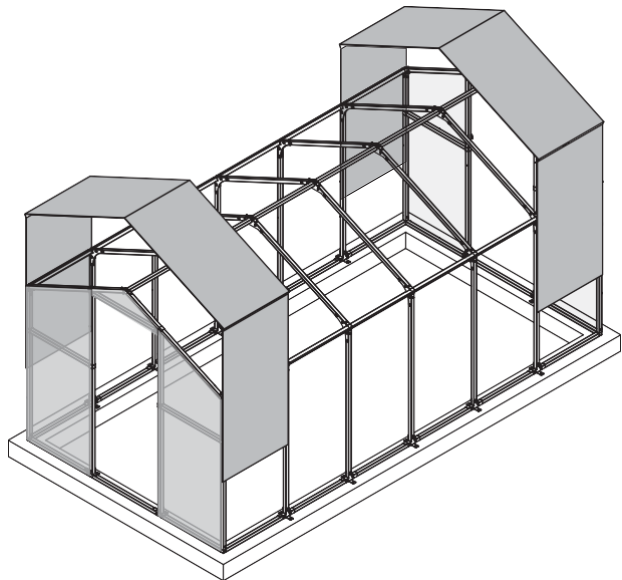
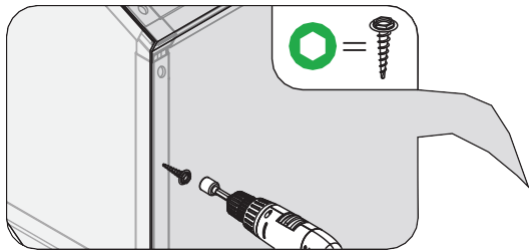


x2
PL-2

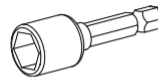


x2
PL-2

25



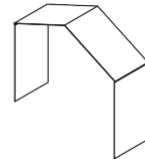
elements



x1
8 MAGNETIC BIT

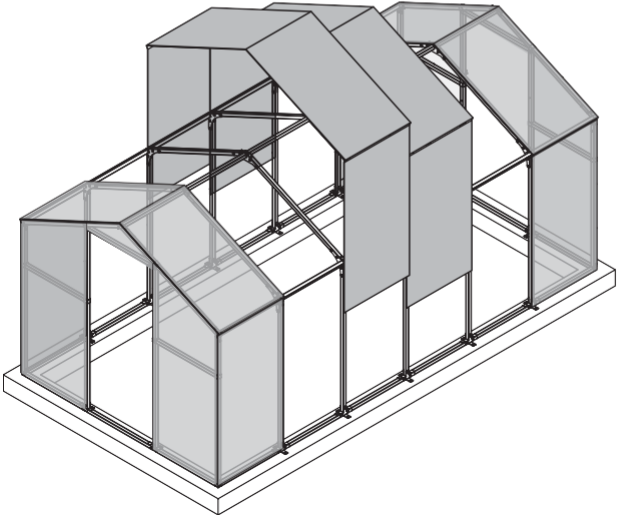
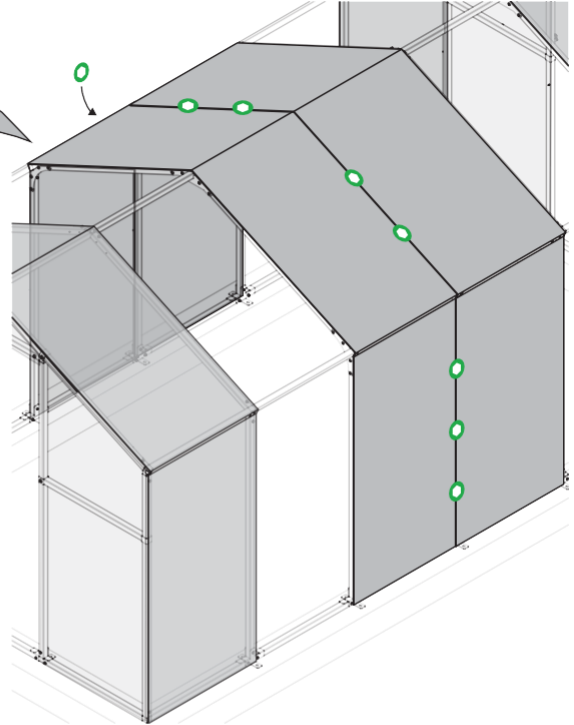
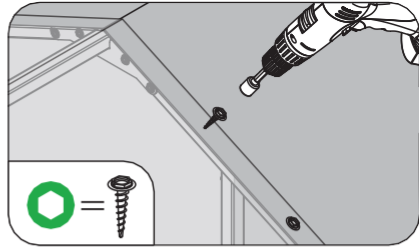


x24
W2



x2
PW-1

26



elements

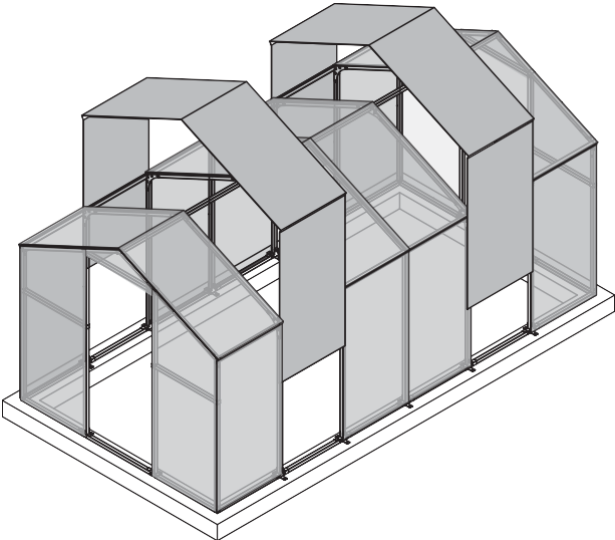
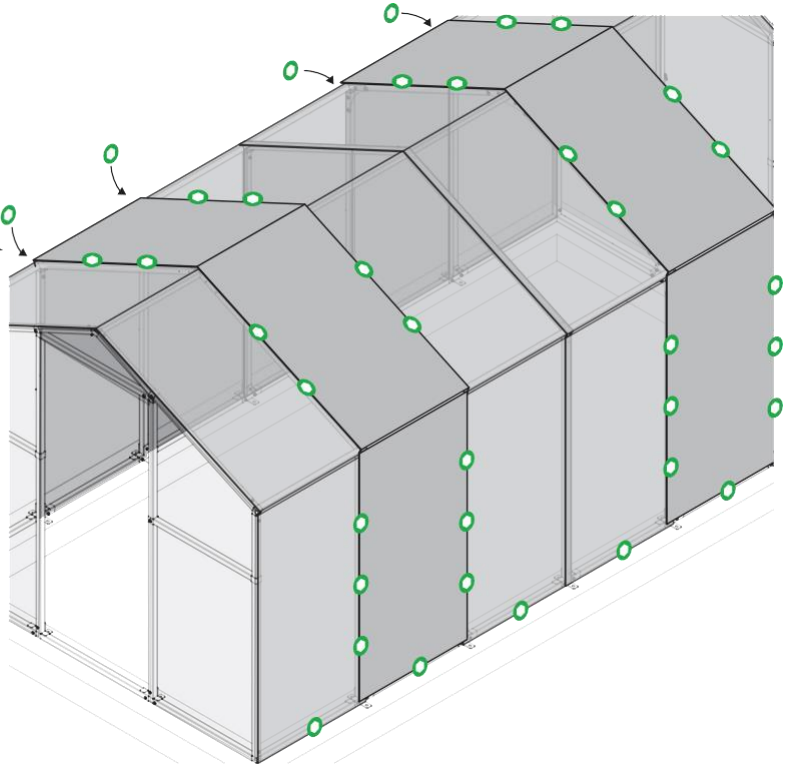
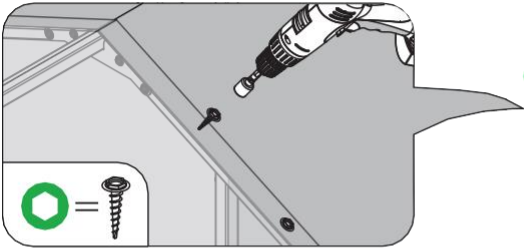
x1
8 MAGNETIC BIT

x10
W2

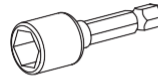
x2
PW-1

This block contains the list of elements for step 26. It includes an 8 MAGNETIC BIT (quantity x1), 10 screws of size W2 (quantity x10), and 2 L-shaped corner pieces of type PW-1 (quantity x2).

27



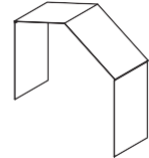
elements



x1
8 MAGNETIC BIT



x52
W2

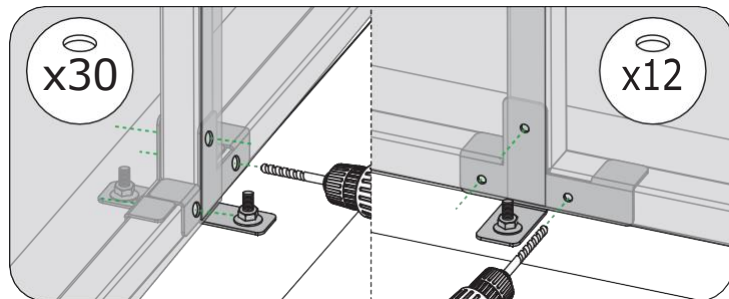
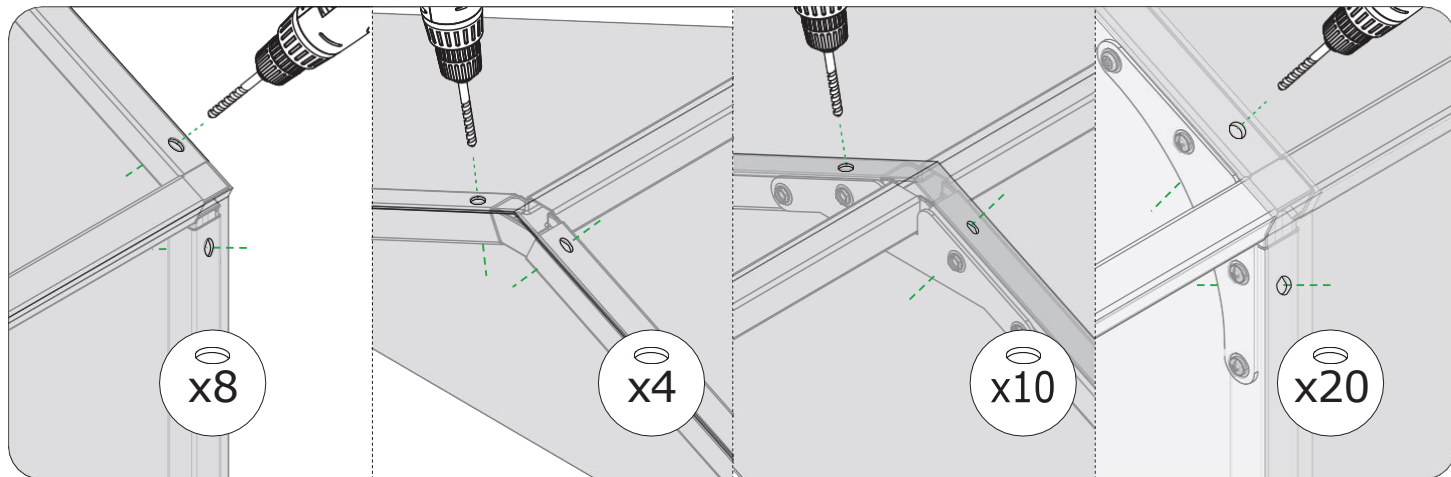


x2
PW-1

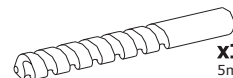
28



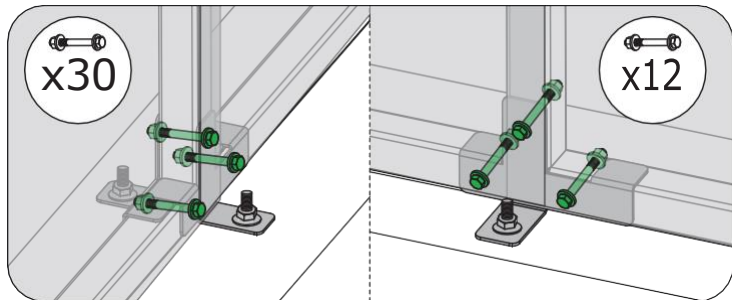
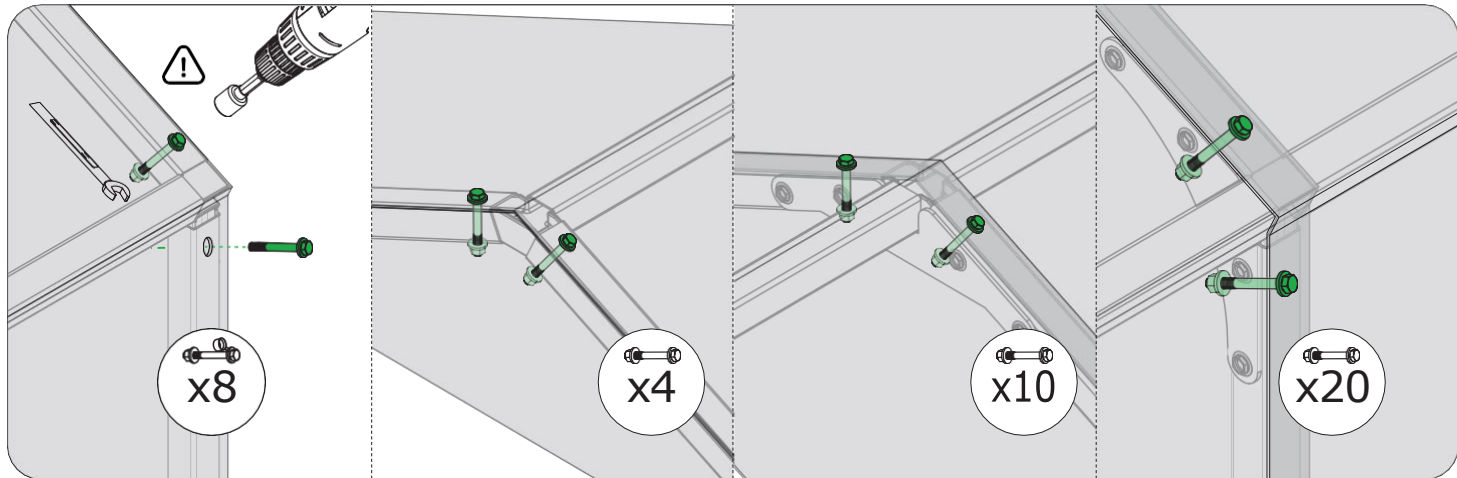
Drilling the board.




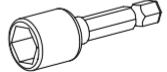
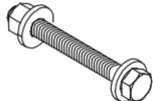
elements



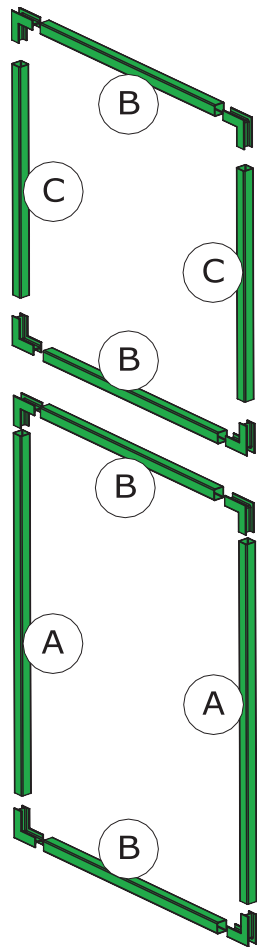
x1
5mm DRILL



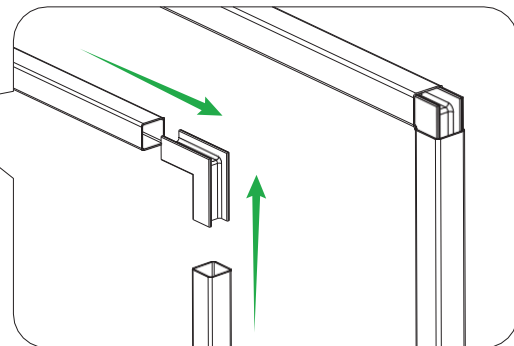
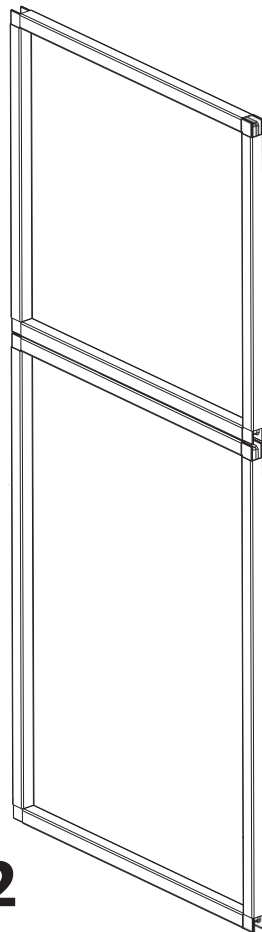
elements

-  x1 SPANNER 8
-  x1 8 MAGNETIC BIT
-  x84 SM-1

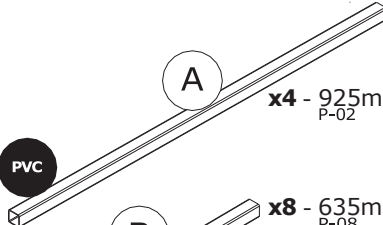
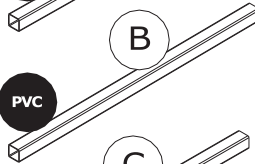
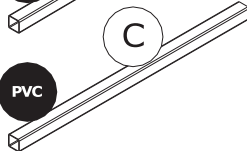
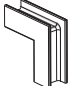
30



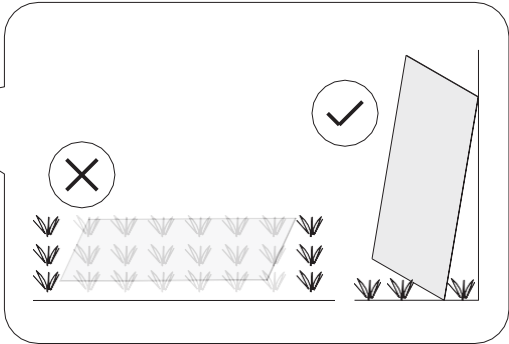
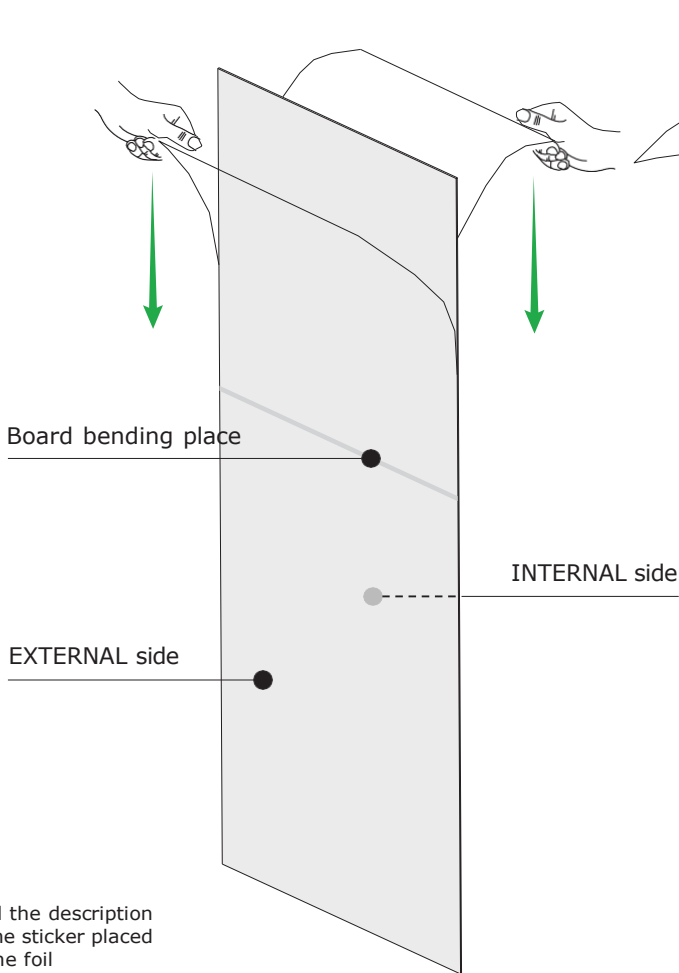
x2



elements

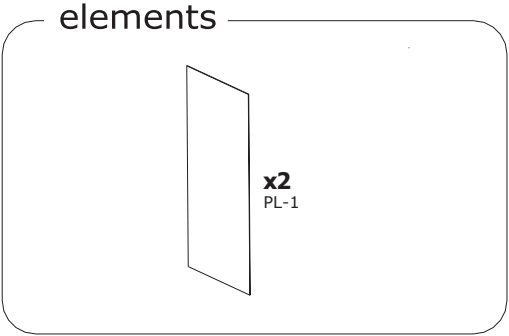
-  **A** **x4 - 925mm**
P-02
-  **B** **x8 - 635mm**
P-08
-  **C** **x4 - 600mm**
P-03
-  **x16**
Z-03

31

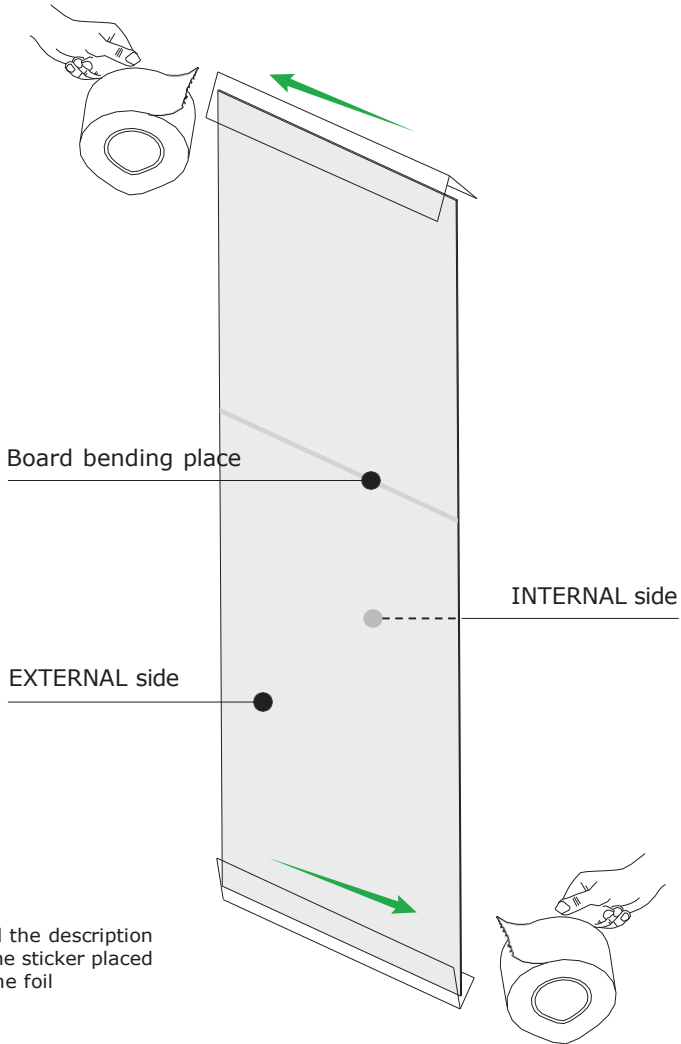


I CAUTION
UV PROTECTIVE COAT ON THE SIDE
MARKED WITH AN OVERPRINTED TAPE.
MOUNT WITH THIS SIDE OUTSIDE!

I Read the description
on the sticker placed
on the foil



32



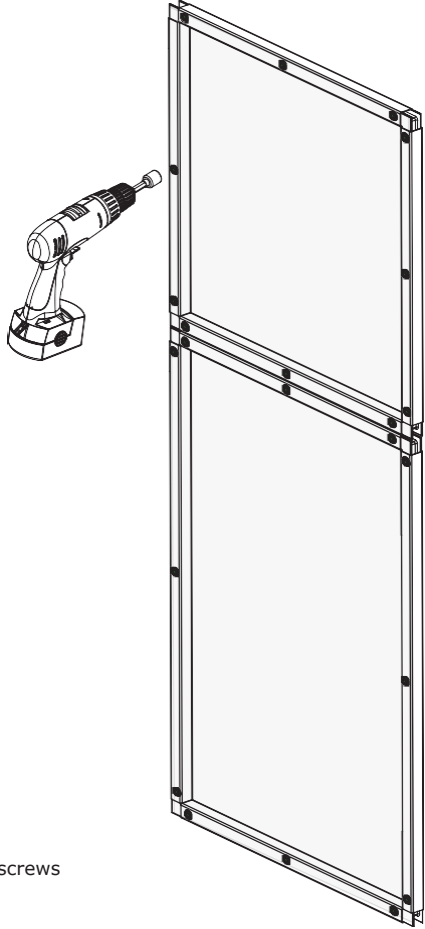
Read the description on the sticker placed on the foil

elements

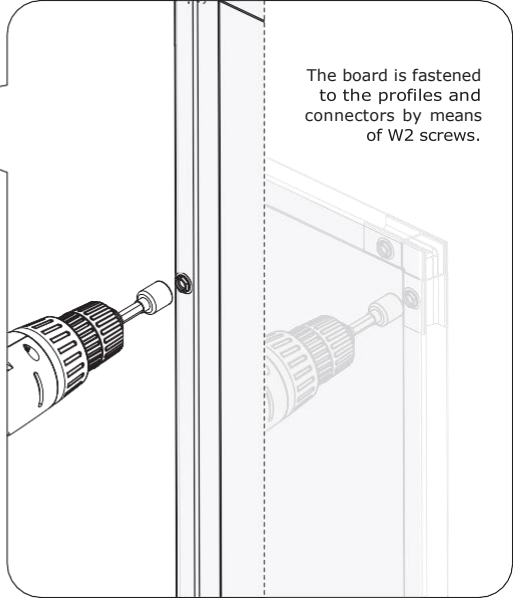
x2
PL-1

x1
UV ADHESIVE
TAPE

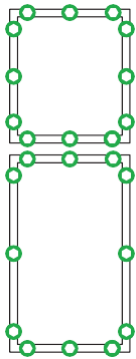
33



x2

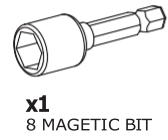


The board is fastened to the profiles and connectors by means of W2 screws.



Place the screws evenly

elements



x1
8 MAGETIC BIT



x48
W2

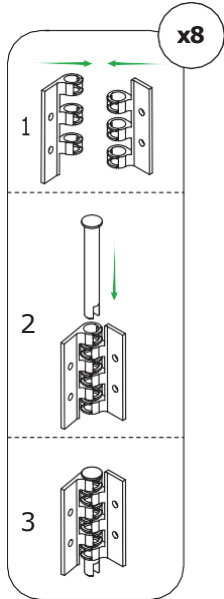


x2
PL-1



x2

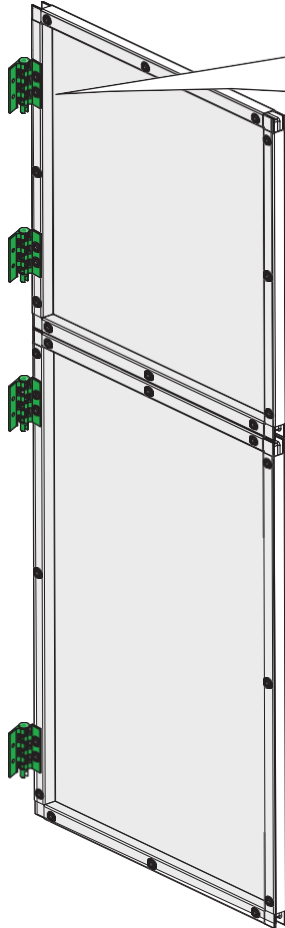
34



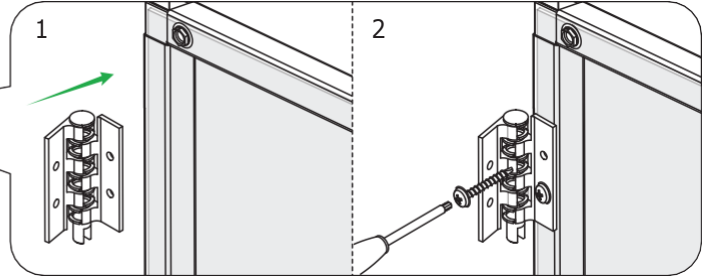
Hinge assembly



Place the screws evenly

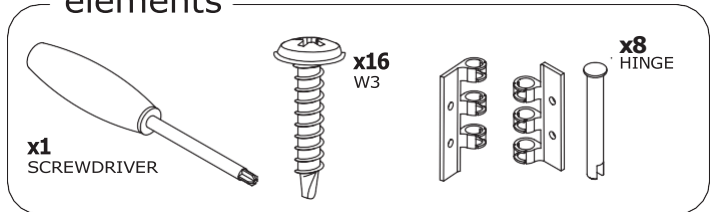


x2

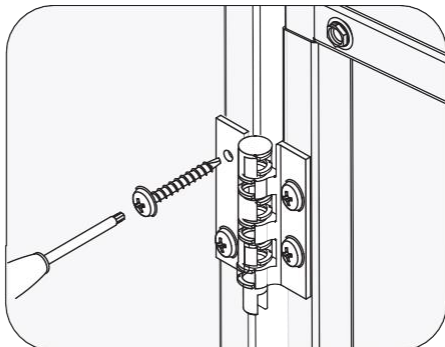


Mount the hinge on the polycarbonate board.
Left and right hand side assembly is possible.

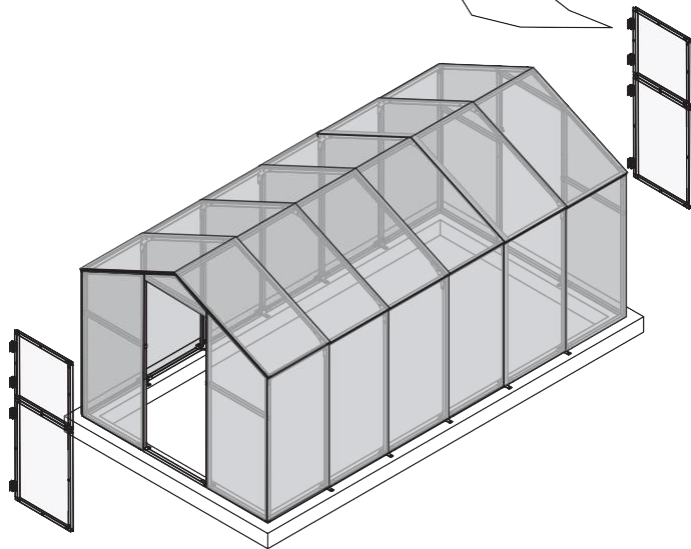
elements



35

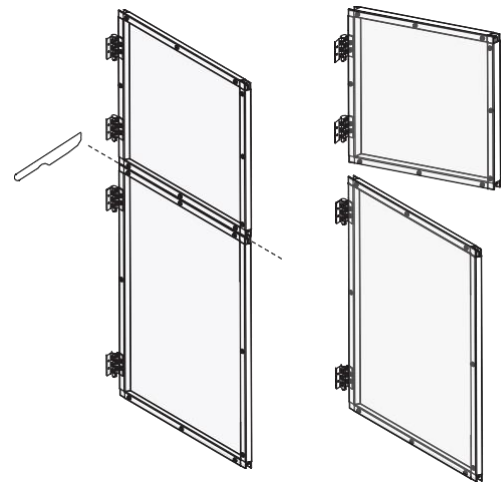


Mount the hinge on the polycarbonate board.

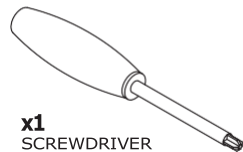


I

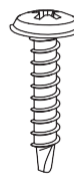
IT IS POSSIBLE TO DIVIDE THE DOOR IN THE BOARD BENDING PLACE. FOR THIS PURPOSE, AFTER MOUNTING THE DOOR, THE BOARD MUST BE CUT THROUGH WITH A KNIFE.



elements



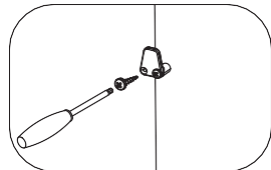
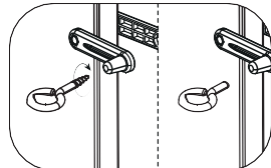
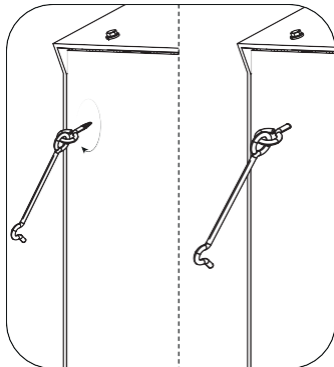
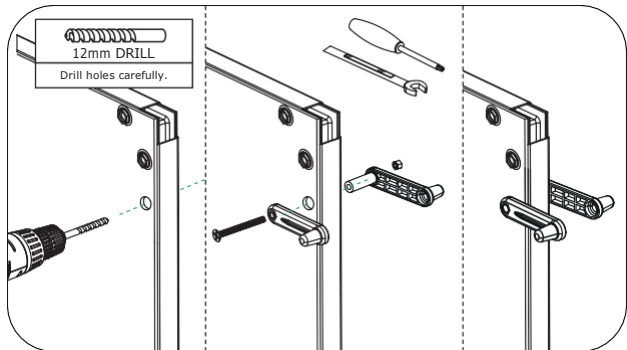
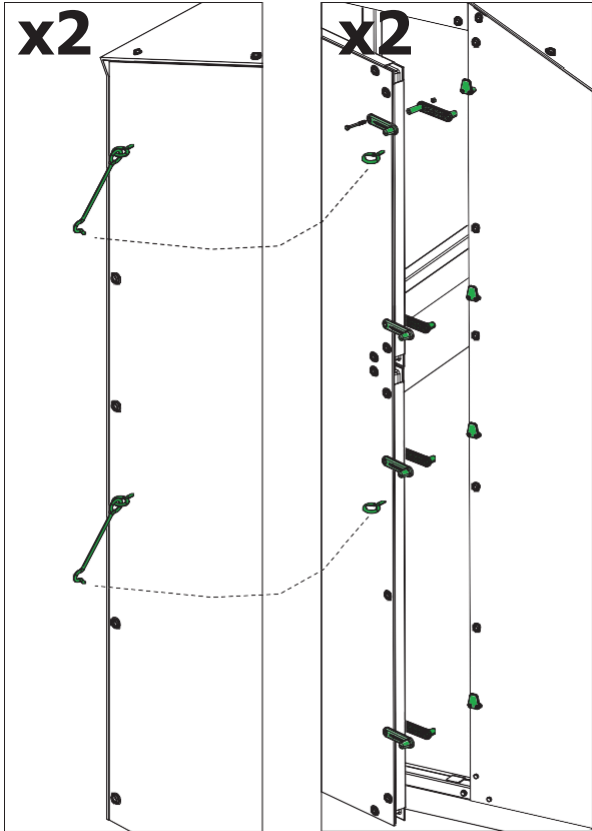
x1
SCREWDRIVER



x16
W3

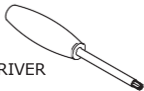


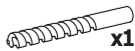
x2





elements


- x1**
SCREWDRIVER



- x1**
12mm DRILL


- x4**
HACK


- x8**


- x8**
ZMC


- x16**
W1


- x8**

